



aerospace
climate control
electromechanical
filtration
fluid & gas handling
hydraulics
pneumatics
process control
sealing & shielding



Hydraulic Cartridge Valves

for European Distributors and End Users

The Select Range Catalogue



ENGINEERING YOUR SUCCESS.



WARNING – USER RESPONSIBILITY

FAILURE OR IMPROPER SELECTION OR IMPROPER USE OF THE PRODUCTS DESCRIBED HEREIN OR RELATED ITEMS CAN CAUSE DEATH, PERSONAL INJURY AND PROPERTY DAMAGE.

This document and other information from Parker-Hannifin Corporation, its subsidiaries and authorized distributors provide product or system options for further investigation by users having technical expertise.

The user, through its own analysis and testing, is solely responsible for making the final selection of the system and components and assuring that all performance, endurance, maintenance, safety and warning requirements of the application are met. The user must analyze all aspects of the application, follow applicable industry standards, and follow the information concerning the product in the current product catalog and in any other materials provided from Parker or its subsidiaries or authorized distributors.

To the extent that Parker or its subsidiaries or authorized distributors provide component or system options based upon data or specifications provided by the user, the user is responsible for determining that such data and specifications are suitable and sufficient for all applications and reasonably foreseeable uses of the components or systems.

Offer of Sale

Please contact your Parker representation for a detailed "Offer of Sale".

The Select Range

The Select Range is a selection of the most popular and versatile valves from the complete range of Parker Hydraulic Cartridge Valves and are held in stock for delivery from the European Distribution Centre (EDCN).

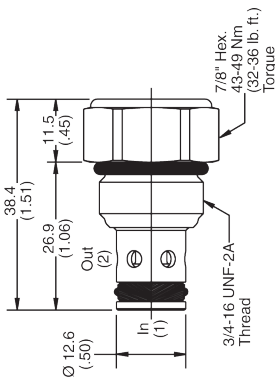
All valves in The Select Range are proven items, with a good track record of service in many different applications. The Select Range should be used for new projects in the knowledge that they are available and will meet the majority of customer applications. If something different is required then further valve options can be selected from the main valve range, although availability may be subject to a manufacturing lead-time.

This catalogue is organized so that selection can be made by valve type first, then by flow/pressure requirements. This means that valve selection can be made with minimal part number knowledge.

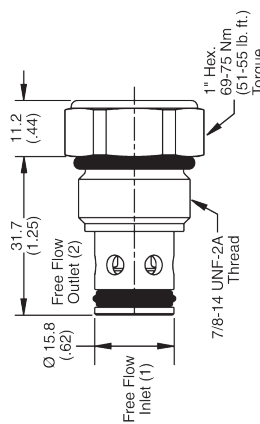
The data in this catalogue is only the basic information but full details of each valve, including the full specification and options, are shown in the main catalogue, available through the local Parker Sales companies, directly from EMDC, or alternatively on the website www.parker.com

	Page
Check Valves	
- Poppet	5
- Ball	6
- Pilot Operated	6
- Package, Pilot Piston, Single & Dual	7
- Package, Pilot Piston, Single & Dual	8
Shuttle Valves	
- Ball	9
- Spool	9
Load Control Valves	
- Counterbalance	10-12
Flow Control Valves	
- Needle	13
- Pressure Compensated	13-14
- Needle with Reverse Check	15
- Flow Divider Combiner	16
Relief Valves	
- Direct Acting	17
- Differential Area	18
- Pilot Operated	18-19
- Ventable Relief Valve	19
- Cross Over	20
- Unloader	20
Sequence Valves	
- Pilot Operated	21
- Direct Acting	21
Reducing & Relieving Valves	
- Direct Acting	22
- Pilot Operated	22
Logic Elements	
- Poppet	23
- Spool	23
Directional Control Valves	
- Diverter	24
- Pilot Operated	24
Solenoid Valves	
- 2 Way Bi-Directional Poppet	25-26
- 2 Way Poppet	27-28
- 2 Way Spool	29-30
- 3 Way Spool	31
- 4 Way, 2 Position Spool	32
- 4 Way, 3 Position Spool	33-34
Proportional Valves	
- Pressure Relieving	35
- Normally Open Flow Control	36
- 2 Way Flow Controls	37
- 3 Way Flow Controls	38
- 4 Way Directional Controls	38-39
- Normally Closed Flow Control	40
Coils	
- CC Type	41
- CA Type	42
Bodies	
- CETOP 3 Cartpak	43-47
- Steel, Standard	48-49
- Load Control	50-53
- Steel, Special	54-55

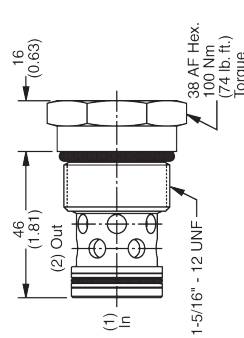
Poppet Type



CVH081P

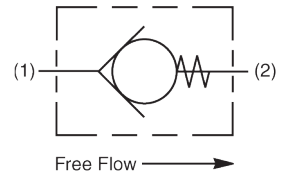


CVH103P



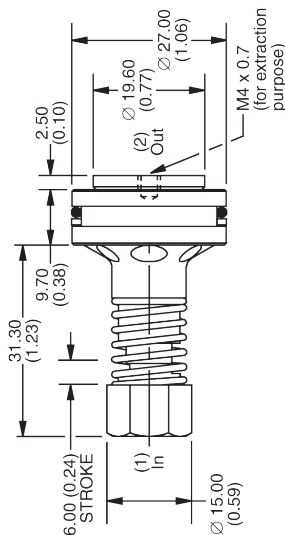
D06B2-0.1N

Dimensions Millimeters (inches)

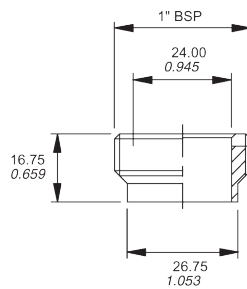


Series	Body	Max Inlet Pressure (bar)	Cracking Pressure (bar)	Flow Rating (l/min)	Features
CVH081P	B08-2-6B	350	0.3	38	<ul style="list-style-type: none"> Spherical poppet for low leakage CVH type only. Low pressure drop. Good contamination tolerance.
CVH103P	B10-2-8B	350	0.3	60	
D06B2P-0.1N	B16-2-16B	420	0.1	280	

Poppet Type - Valve Insert

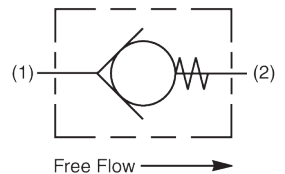


D1B125-0.2N



Retainer

Dimensions Millimeters (inches)



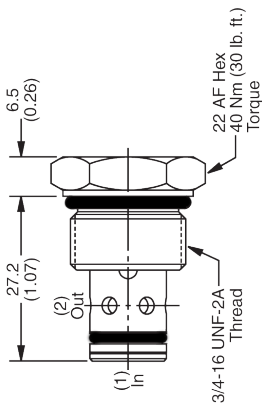
Note:
 Valve is supplied with retention round wire circlip (ref 8010977).
 As an alternative to circlip retention of the check valve insert,
 the screwed retainer shown here can be used to lock the insert
 beneath 1" BSP port and should be ordered separately.

For 1" BSP order as RT10001 - Torque to 85Nm (63 lb ft).

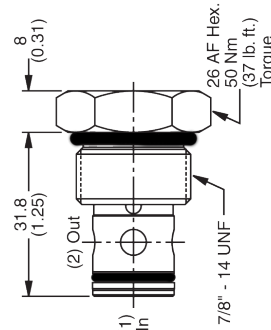
Series	Body	Max Inlet Pressure (bar)	Cracking Pressure (bar)	Flow Rating (l/min)	Features
D1B125-0.2N	LB10210S	420	0.2	300	<ul style="list-style-type: none"> High flow capacity

- CV
Check Valves
- SV
Shuttle Valves
- LM
Load/Motor Controls
- FC
Flow Controls
- PC
Pressure Controls
- LE
Logic Elements
- DC
Directional Controls
- SV
Solenoid Valves
- PV
Proportional Valves
- CE
Coils & Electronics
- BC
Bodies & Cavities

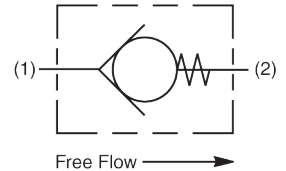
Ball Type



D02B2



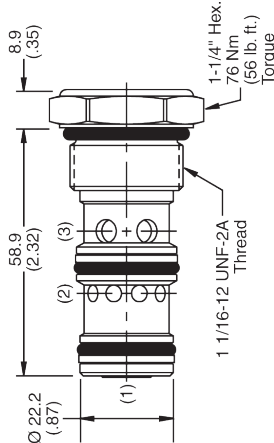
D04B2



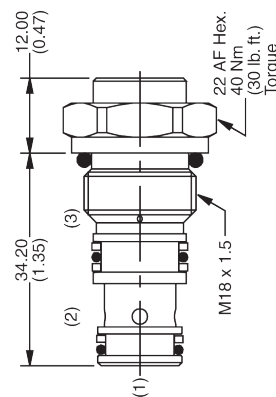
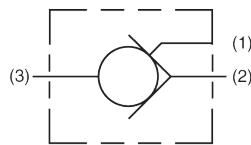
Dimensions Millimeters (inches)

Series	Body	Max Inlet Pressure (bar)	Cracking Pressure (bar)	Flow Rating (l/min)	Features
D02B2-0.2N	B08-2-6B	420	0.2	45	<ul style="list-style-type: none"> Ball type construction for cost effective design. Single & dual pilot pistons available to create PO check valve assemblies. Cartridge only
D02B2-2.1N	B08-2-6B	420	2.1	45	
D04B2-0.2N	B10-2-8B	420	0.2	90	
D04B2-2.1N	B10-2-8B	420	2.1	90	

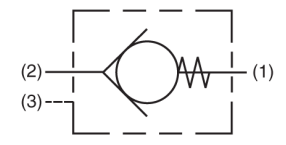
Pilot Operated



CPH104P



D4A020N

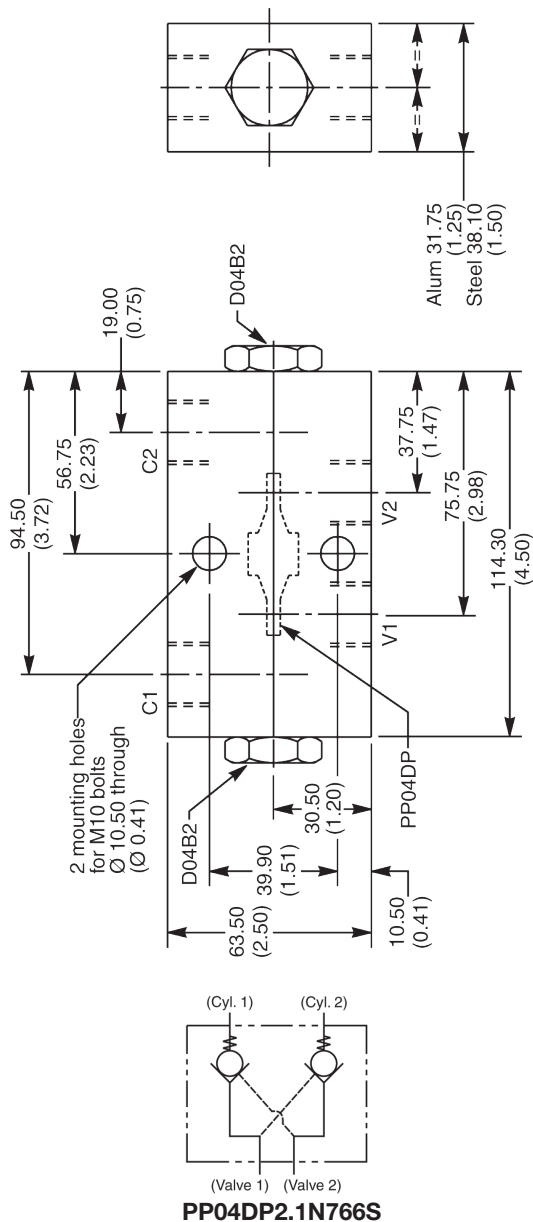


Dimensions Millimeters (inches)

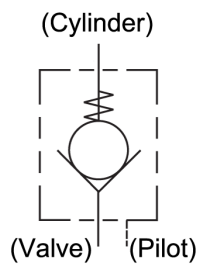
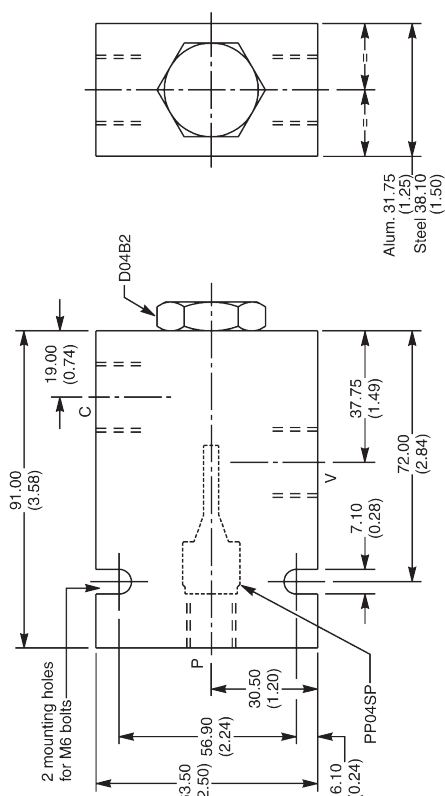
Series	Body	Max Inlet Pressure (bar)	Cracking Pressure (bar)	Flow Rating (l/min)	Features
CPH104P	B10-3-8B	350	2.1	30	<ul style="list-style-type: none"> Extremely compact construction. Sealed pilot
D4A020N	LB10310S	420	5	16	

Pilot Piston Type

Dimensions Millimeters (inches)



PP04DP2.1N766S



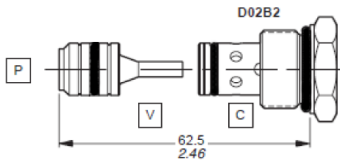
PP04SP2.1N761S

Series	Pilot Ratio	Max Inlet Pressure (bar)	Cracking Pressure (bar)	Flow Rating (l/min)	Features
PP04DP2.1N766S	4:1	420	2.1	40	<ul style="list-style-type: none"> Complete assembly Dual pilot operated check valve package with 3/8 BSP ports.
PP04SP2.1N761S	3:1	420	2.1	135	<ul style="list-style-type: none"> Complete assembly Single pilot operated check valve package with 1/2 BSP ports.

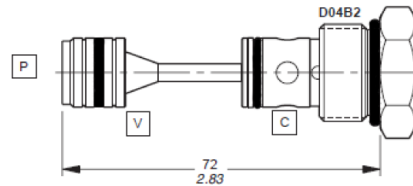
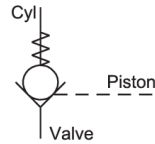
- CV Check Valves
- SV Shuttle Valves
- LM Load/Motor Controls
- FC Flow Controls
- PC Pressure Controls
- LE Logic Elements
- DC Directional Controls
- SV Solenoid Valves
- PV Proportional Valves
- CE Coils & Electronics
- BC Bodies & Cavities

Single Pilot Piston

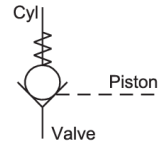
Dimensions Millimeters (inches)



PP02SP



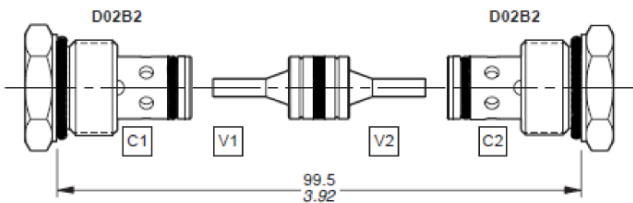
PP04SP



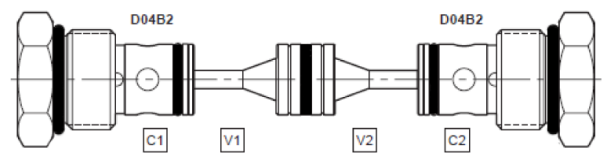
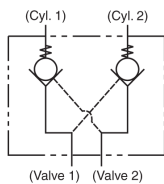
Series	Pilot Ratio	Max Inlet Pressure (bar)	Cracking Pressure (bar)	Flow Rating (l/min)	Features
PP02SP	4:1	420	2.1	40	<ul style="list-style-type: none"> Single pilot piston only For use with D02B2-2.1N
PP04SP	3:1	420	2.1	135	<ul style="list-style-type: none"> Single pilot piston only For use with D04B2-2.1N

Dual Pilot Piston

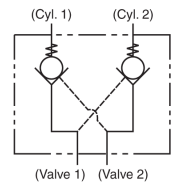
Dimensions Millimeters (inches)



PP02DP



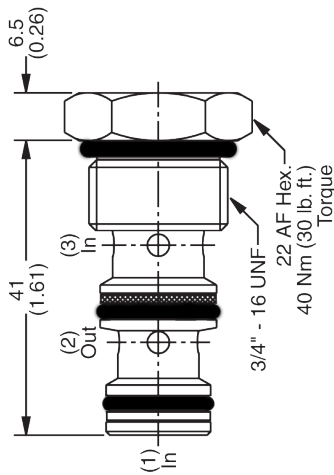
PP04DP



Series	Pilot Ratio	Max Inlet Pressure (bar)	Cracking Pressure (bar)	Flow Rating (l/min)	Features
PP02DP	4:1	420	2.1	40	<ul style="list-style-type: none"> Dual pilot piston only For use with 2 pcs D02B2-2.1N
PP04DP	3:1	420	2.1	135	<ul style="list-style-type: none"> Dual pilot piston only For use with 2 pcs D04B2-2.1N

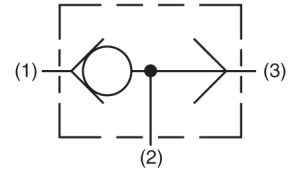
CV
Check Valves
SV
Shuttle Valves
LM
Load/Motor Controls
FC
Flow Controls
PC
Pressure Controls
LE
Logic Elements
DC
Directional Controls
SV
Solenoid Valves
PV
Proportional Valves
CE
Coils & Electronics
BC
Bodies & Cavities

Ball Type



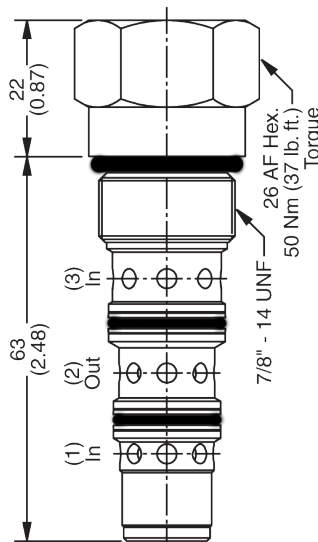
K02A3N

Dimensions Millimeters (inches)



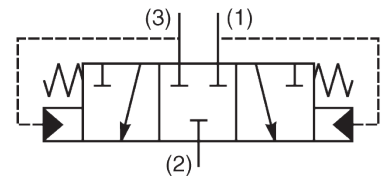
Series	Body	Max Inlet Pressure (bar)	Flow Rating (l/min)	Features
K02A3N	B08-3-6B	420	27	<ul style="list-style-type: none"> Ball type construction Contamination tolerant

Spool Type



K04C3-5.0N

Dimensions Millimeters (inches)

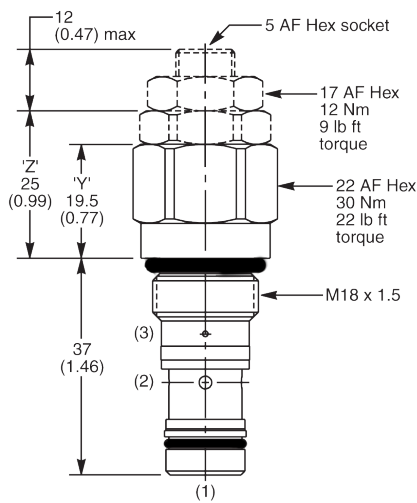


Series	Body	Max Inlet Pressure (bar)	Flow Rating (l/min)	Features
K04C3-5.0N	B10-4-8B	420	55	<ul style="list-style-type: none"> High flow capacity Use as a purge valve in transmission applications.

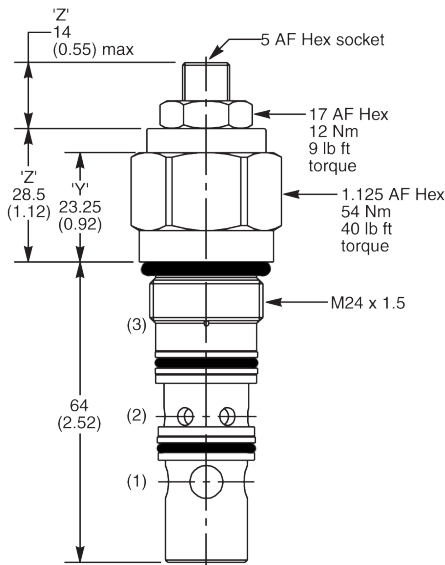
- CV
Check Valves
- SV
Shuttle Valves
- LM
Load/Motor Controls
- FC
Flow Controls
- PC
Pressure Controls
- LE
Logic Elements
- DC
Directional Controls
- SV
Solenoid Valves
- PV
Proportional Valves
- CE
Coils & Electronics
- BC
Bodies & Cavities

Counterbalance Type

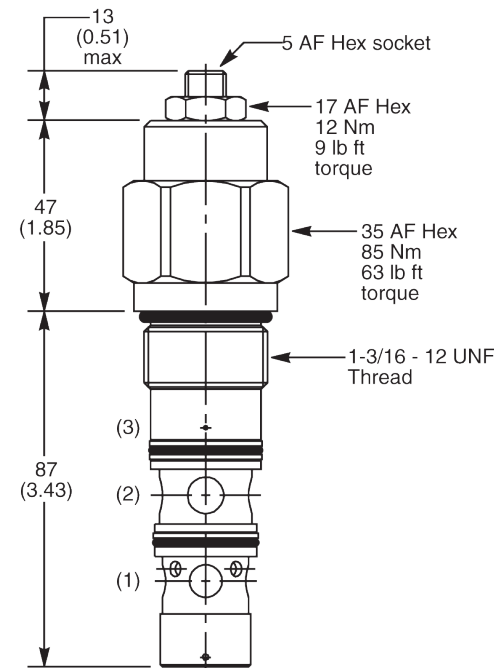
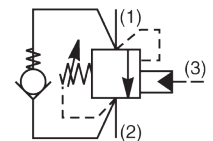
Dimensions Millimeters (inches)



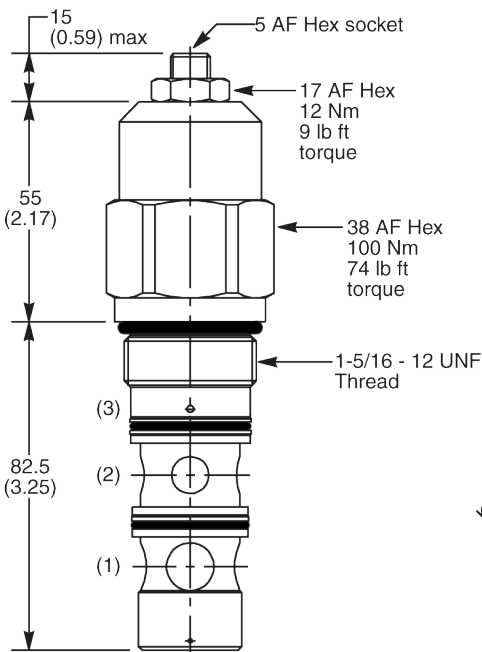
E2B020ZN



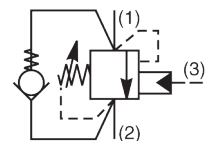
E2B040ZNMK3



E2B060ZNMK2

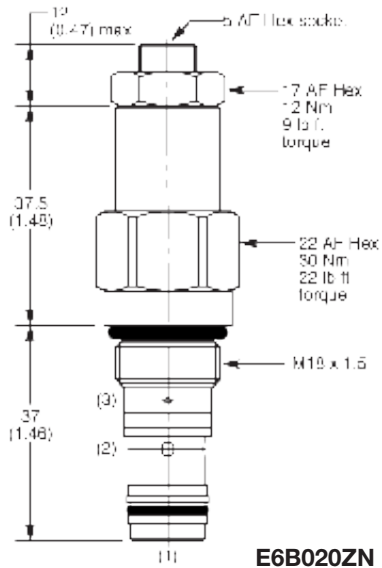


E2E125ZNMK2

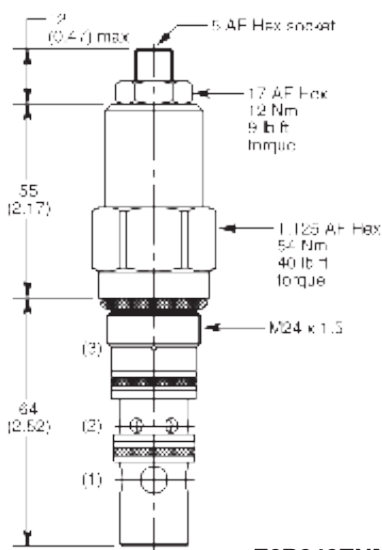


Series	Body	Max Inlet Pressure (bar)	Standard Setting (bar)	Flow Rating (l/min)	Pilot Ratio	Features
E2B020ZN	LB10310S	420	215	20	4.5:1	<ul style="list-style-type: none"> • Compact construction • Excellent control & stability • Range of pilot ratios
E2B040ZNMK3	LB10251S	350	215	60	3:1	
E2B060ZNMK2	LB10039S	350	215	120	3:1	
E2E125ZNMK2	LB10076S	350	215	200	3:1	

Counterbalance Type

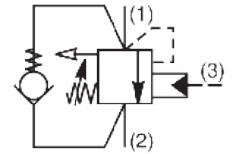


E6B020ZN

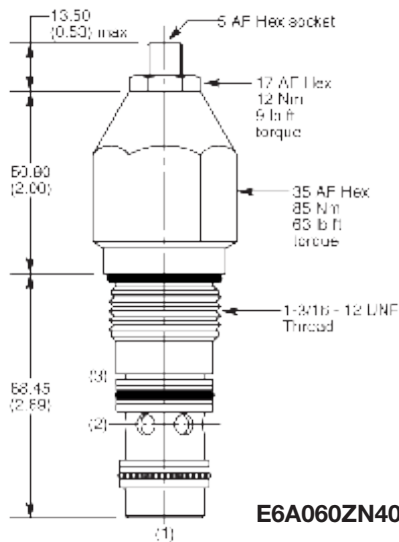


E6B040ZNMK3

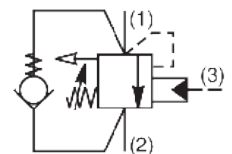
Dimensions Millimeters (inches)



Series	Body	Max Inlet Pressure (bar)	Standard Setting (bar)	Flow Rating (l/min)	Pilot Ratio	Features
E6B020ZN	LB10310S	420	215	20	4.5:1	<ul style="list-style-type: none"> Independent of downstream pressure. No requirement for separate drain line. Compact construction
E6B040ZNMK3	LB10251S	350	215	60	3:1	



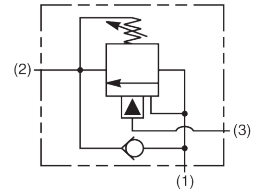
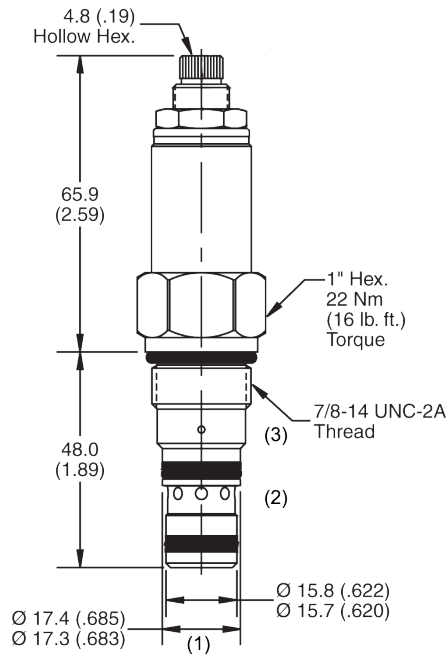
E6A060ZN409 / E6B060ZN409



Series	Body	Max Inlet Pressure (bar)	Standard Setting (bar)	Flow Rating (l/min)	Pilot Ratio	Features
E6A060ZN409	LB10039S	350	215	180	8:1	<ul style="list-style-type: none"> Independent of downstream pressure. No requirement for separate drain line. High flow design
E6B060ZN409	LB10039S	350	215	180	3:1	

Counterbalance Type

Dimensions Millimeters (inches)



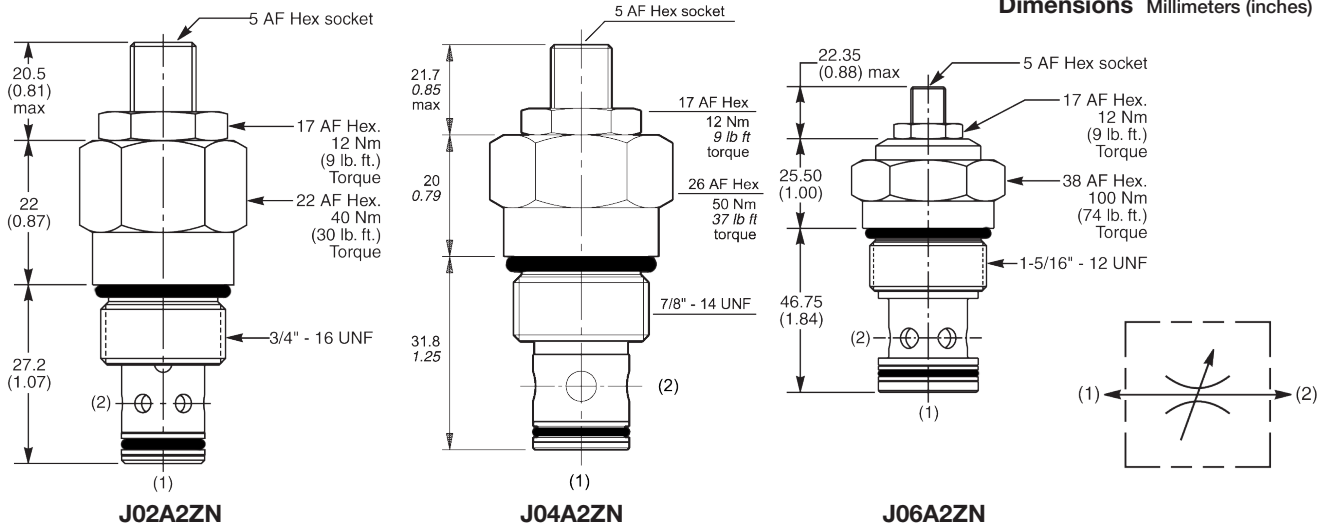
CB101AS30

Series	Body	Max Inlet Pressure (bar)	Standard Setting (bar)	Flow Rating (l/min)	Pilot Ratio	Features
CB101AS30	B10-3-8B	380	210	45	3:1	<ul style="list-style-type: none"> • 3:1 Pilot ratio • Fits common cavity

- CV**
Check Valves
- SV**
Shuttle Valves
- LM**
Load/Motor Controls
- FC**
Flow Controls
- PC**
Pressure Controls
- LE**
Logic Elements
- DC**
Directional Controls
- SV**
Solenoid Valves
- PV**
Proportional Valves
- CE**
Coils & Electronics
- BC**
Bodies & Cavities

CV
Check Valves
SV
Shuttle Valves
LM
Load/Motor Controls
FC
Flow Controls
PC
Pressure Controls
LE
Logic Elements
DC
Directional Controls
SV
Solenoid Valves
PV
Proportional Valves
CE
Coils & Electronics
BC
Bodies & Cavities

Needle Valve



Series	Body	Max Inlet Pressure (bar)	Flow Rating (l/min)	Features
J02A2ZN	B08-2-6B	420	45	<ul style="list-style-type: none"> • High flow capacity from small valve / cavity. • Sensitive adjustment • Low leakage at shut off
J04A2ZN	B10-2-8B	420	110	
J06A2ZN	B16-2-16B	420	225	

Pressure Compensated Type



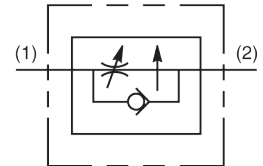
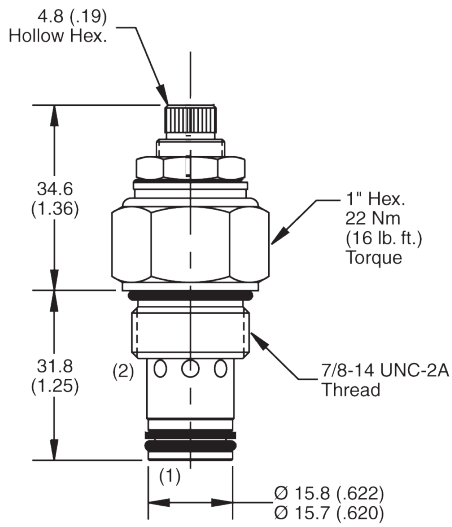
J04C2ZN

Series	Body	Max Inlet Pressure (bar)	Flow Rating (l/min)	Features
J04C2ZN	B10-2-8B	420	40	<ul style="list-style-type: none"> • Restricted reverse flow • Minimal flow change with pressure variation.

- CV
Check Valves
- SV
Shuttle Valves
- LM
Load/Motor Controls
- FC
Flow Controls
- PC
Pressure Controls
- LE
Logic Elements
- DC
Directional Controls
- SV
Solenoid Valves
- PV
Proportional Valves
- CE
Coils & Electronics
- BC
Bodies & Cavities

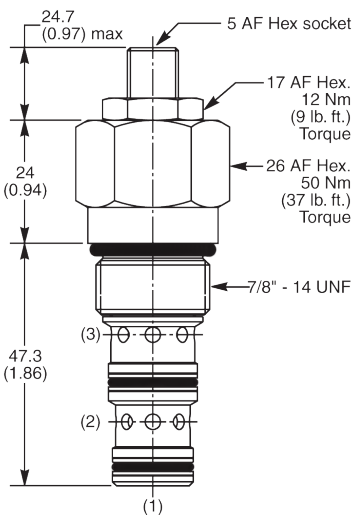
Pressure Compensated Type

Dimensions Millimeters (inches)

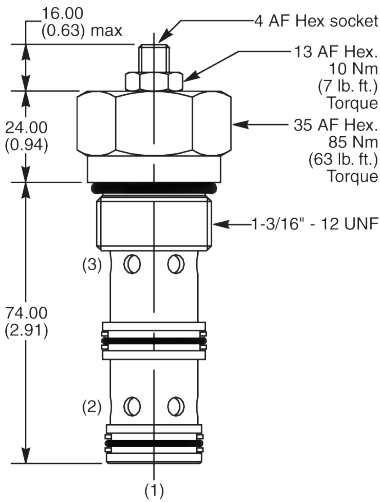


FA101S

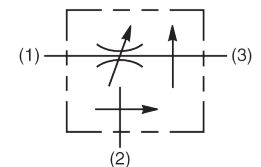
Series	Body	Max Inlet Pressure (bar)	Flow Rating (l/min)	Features
FA101S	B10-2-8B	210	20.6	• Free reverse flow



J04D3ZN



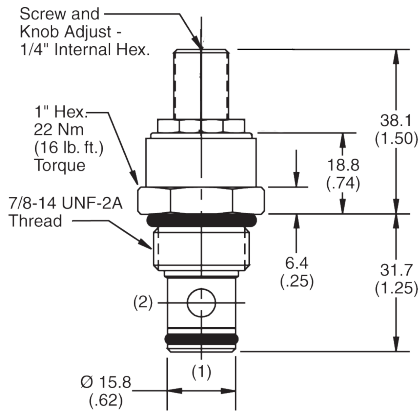
J1A125ZN



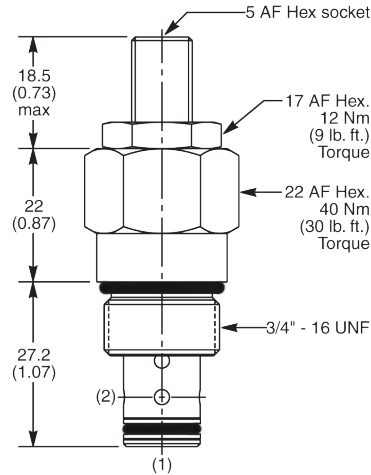
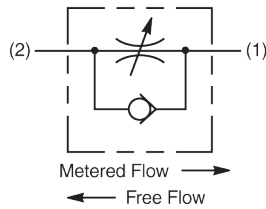
Series	Body	Max Inlet Pressure (bar)	Max Inlet Flow (l/min)	Priority Flow Rating (l/min)	Features
J04D3ZN	B10-2-8B	420	90	45	• 3 way flow control valve • Priority flow capabilities • Ideal for steering system applications.
J1A125ZN	LB10056S	350	150	90	• Fully compensated.

Needle Valve with Reverse Check

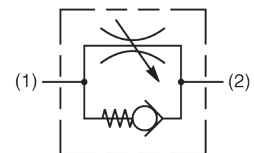
Dimensions Millimeters (inches)



FV101S



J02B2ZN

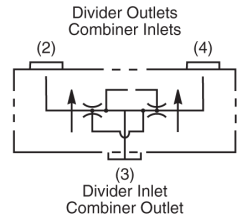
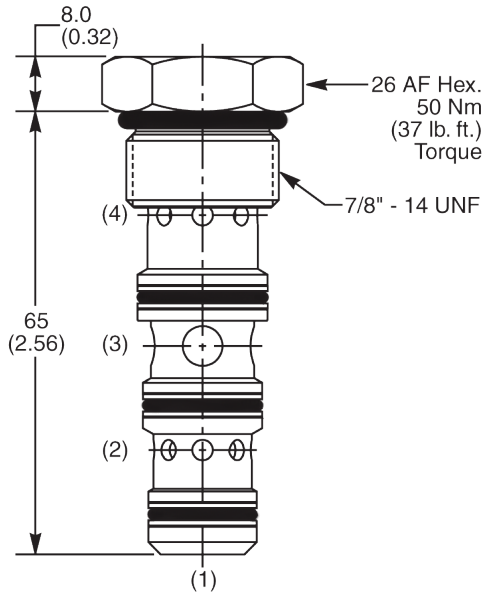


Series	Body	Max Inlet Pressure (bar)	Flow Rating (l/min)	Features
FV101S	B10-2-8B	210	45	<ul style="list-style-type: none"> • High flow capacity • Free reverse flow • Metered flow from port 2 to 1.
J02B2ZN	B08-2-6B	420	30	<ul style="list-style-type: none"> • Sensitive adjustment • Low leakage at shut off • Free reverse flow • Metered flow from port 1 to 2.

- CV
Check Valves
- SV
Shuttle Valves
- LM
Load/Motor Controls
- FC
Flow Controls
- PC
Pressure Controls
- LE
Logic Elements
- DC
Directional Controls
- SV
Solenoid Valves
- PV
Proportional Valves
- CE
Coils & Electronics
- BC
Bodies & Cavities

Pressure Compensated Type

Dimensions Millimeters (inches)

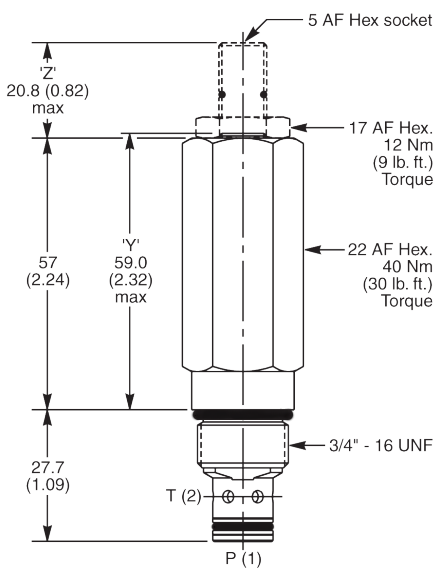


L04A3-30-30N

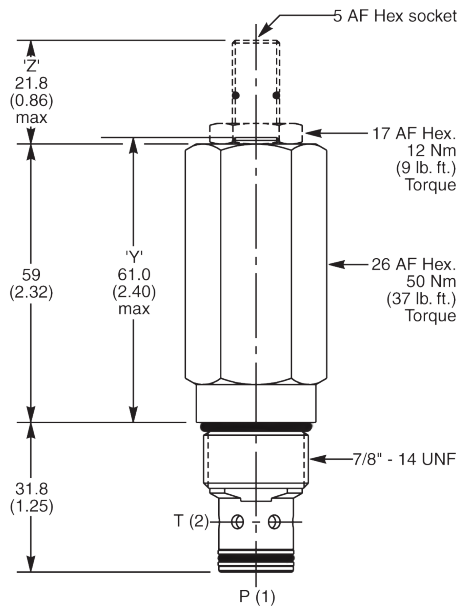
Series	Body	Max Inlet Pressure (bar)	Flow Rating (l/min)	Flow Ratio	Features
L04A3-30-30N	B10-4-8B	420	14-60	50:50	<ul style="list-style-type: none"> Pressure compensated flow in both dividing and combining mode.

- CV**
Check Valves
- SV**
Shuttle Valves
- LM**
Load/Motor Controls
- FC**
Flow Controls
- PC**
Pressure Controls
- LE**
Logic Elements
- DC**
Directional Controls
- SV**
Solenoid Valves
- PV**
Proportional Valves
- CE**
Coils & Electronics
- BC**
Bodies & Cavities

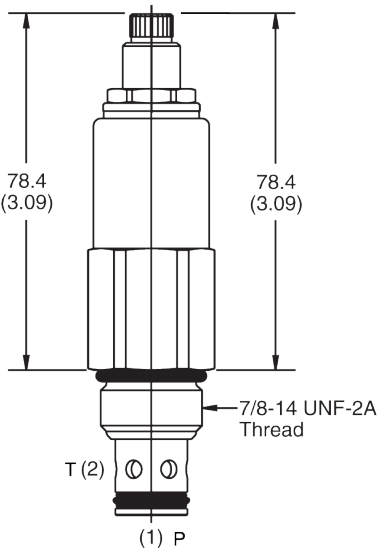
Direct Acting



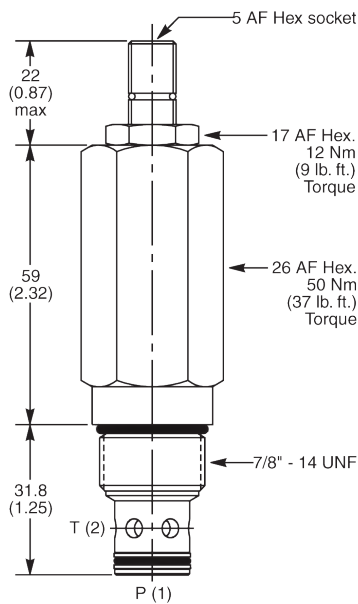
A02B2PZN



A04B2PZN

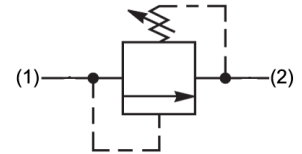
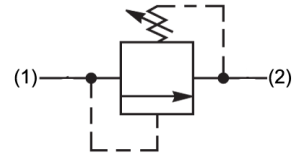


RD102S30



A04C2FZN

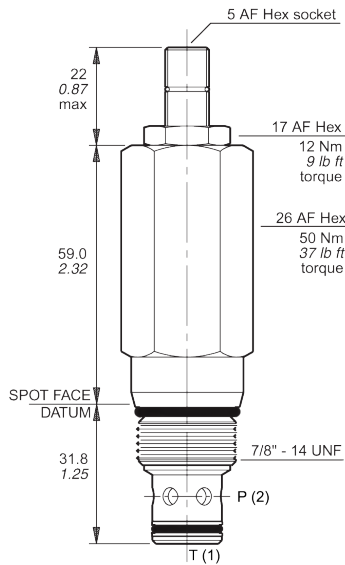
Dimensions Millimeters (inches)



Series	Body	Max Inlet Pressure (bar)	Standard Setting (bar)	Flow Rating (l/min)	Pressure Range (bar)	Features
A02B2PZN	B08-2-6B	420	200	30	5-420	• Fast response • Stable throughout flow range.
A04B2PZN	B10-2-8B	420	200	100	5-420	• Virtually leak free • Versatile relief valve
RD102S30	B10-2-8B	250	103.4	38	41-207	
A04C2FZN	B10-2-8B	420	50	200	2-100	• Spool type • High flow capacity • Low pressure setting

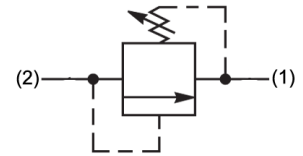
- CV
Check Valves
- SV
Shuttle Valves
- LM
Load/Motor Controls
- FC
Flow Controls
- PC
Pressure Controls
- LE
Logic Elements
- DC
Directional Controls
- SV
Solenoid Valves
- PV
Proportional Valves
- CE
Coils & Electronics
- BC
Bodies & Cavities

Differential Area



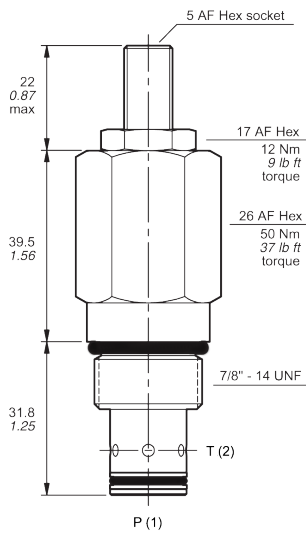
A04D2MZN

Dimensions Millimeters (inches)



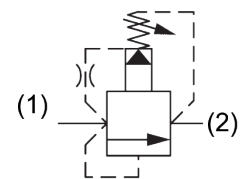
Series	Body	Max Inlet Pressure (bar)	Standard Setting (bar)	Flow Rating (l/min)	Adjustment Range (bar)	Features
A04D2MZN	B10-2-8B	350	200	150	2-350	<ul style="list-style-type: none"> Fast reacting Virtually leak free Flat response

Pilot Operated



A04G2PZN

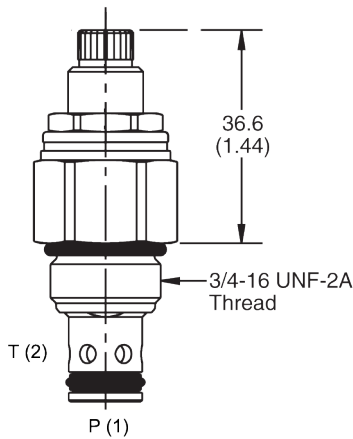
Dimensions Millimeters (inches)



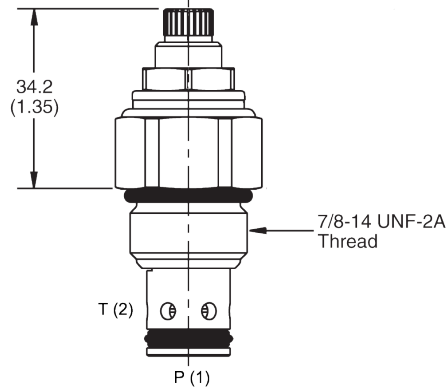
Series	Body	Max Inlet Pressure (bar)	Standard Setting (bar)	Flow Rating (l/min)	Adjustment Range (bar)	Features
A04G2PZN	B10-2-8B	420	200	200	10-420	<ul style="list-style-type: none"> High flow capacity Full tank line back pressure capability.

Pilot Operated

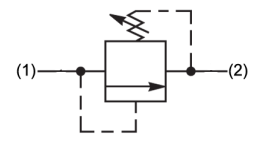
Dimensions Millimeters (inches)



RAH081S50



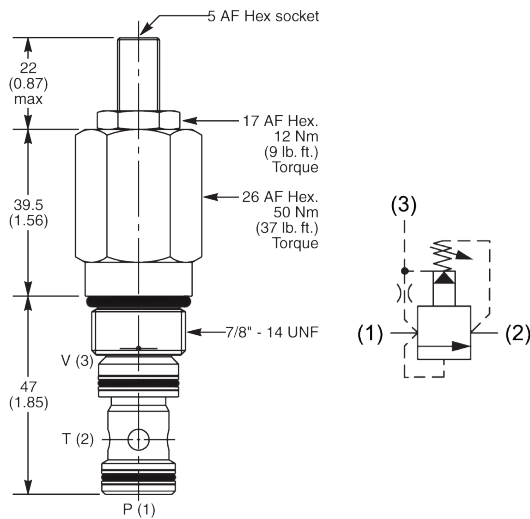
RAH101S50



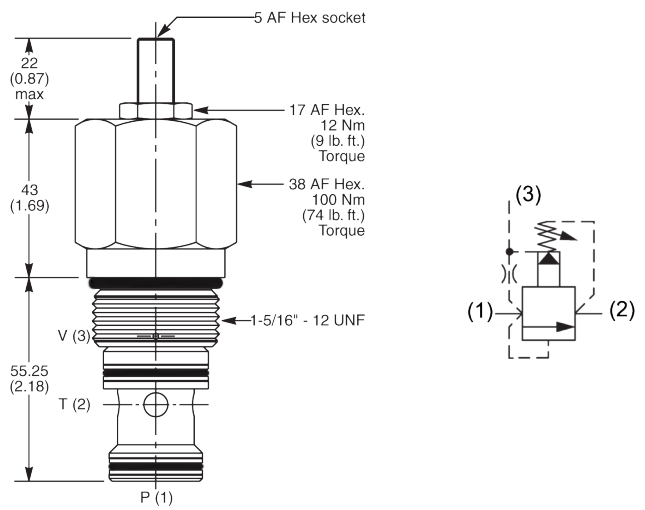
Series	Body	Max Inlet Pressure (bar)	Standard Setting (bar)	Flow Rating (l/min)	Adjustment Range (bar)	Features
RAH081S50	B08-2-6B	380	172.4	75	13.8 - 345	<ul style="list-style-type: none"> • Compact design • Consistent re-seat • Internal screening to protect pilot seat.
RAH101S50	B10-2-8B	380	172.4	113	13.8 - 345	

Ventable Relief Valve

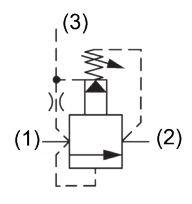
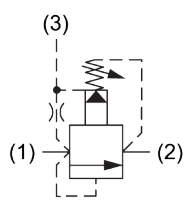
Dimensions Millimeters (inches)



A04H3PZN



A06H3PZN

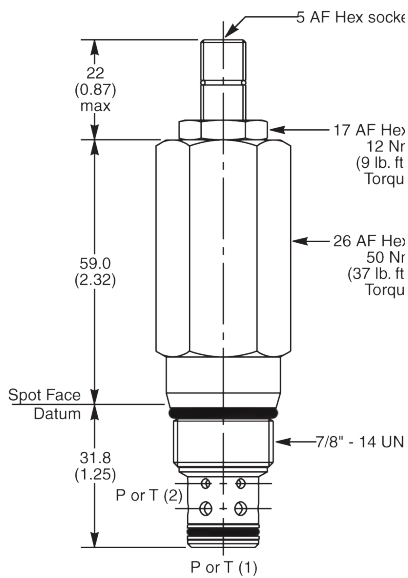


Series	Body	Max Inlet Pressure (bar)	Standard Setting (bar)	Flow Rating (l/min)	Adjustment Range (bar)	Features
A04H3PZN	B10-3S-8B	420	200	190	10 - 420	<ul style="list-style-type: none"> • High flow capacity • Full tank line back pressure capability. • Ideal for pump relief and unloading systems using the vent line.
A06H3PZN	B16-3S-16B	420	200	400	10 - 420	

- CV
Check Valves
- SV
Shuttle Valves
- LM
Load/Motor Controls
- FC
Flow Controls
- PC
Pressure Controls
- LE
Logic Elements
- DC
Directional Controls
- SV
Solenoid Valves
- PV
Proportional Valves
- CE
Coils & Electronics
- BC
Bodies & Cavities

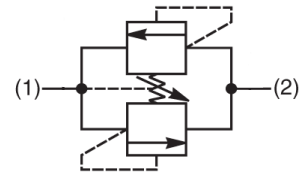
- CV
Check Valves
- SV
Shuttle Valves
- LM
Load/Motor Controls
- FC
Flow Controls
- PC
Pressure Controls
- LE
Logic Elements
- DC
Directional Controls
- SV
Solenoid Valves
- PV
Proportional Valves
- CE
Coils & Electronics
- BC
Bodies & Cavities

Cross Over Type



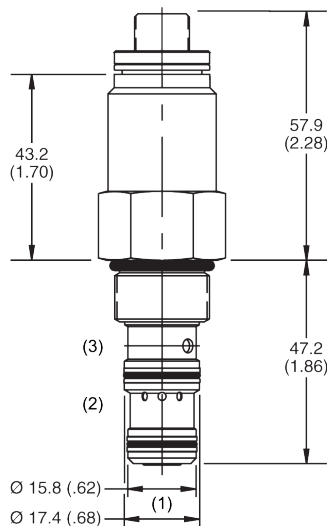
A04J2MZN

Dimensions Millimeters (inches)



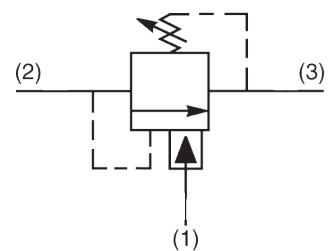
Series	Body	Max Inlet Pressure (bar)	Standard Setting (bar)	Setting Range (bar)	Flow Rating (l/min)	Features
A04J2MZN	B10-2-8B	420	200	10-350	120	<ul style="list-style-type: none"> • High flow capacity • Relieves in both directions • Cost effective with single adjustment.

Unloader Valve



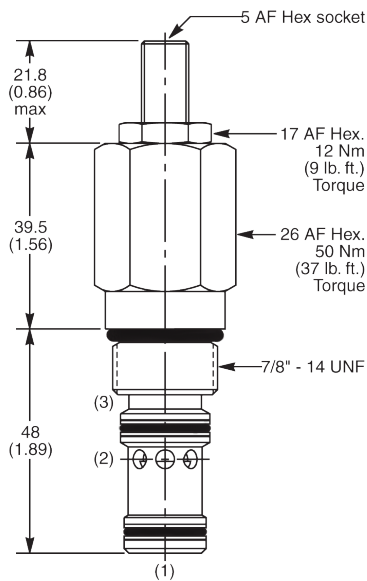
RU101S30C

Dimensions Millimeters (inches)



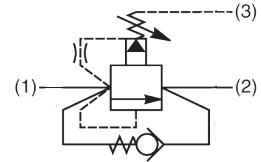
Series	Body	Max Inlet Pressure (bar)	Standard Pressure Setting (bar)	Flow Capacity (l/min)	Setting Range (bar)	Features
RU101S30C	B10-3-8B	245	103.5	3.75	14-207	<ul style="list-style-type: none"> • Suitable for accumulator unloading circuits. • Ability to provide a fixed percentage between load and unload pressures.

Pilot Operated



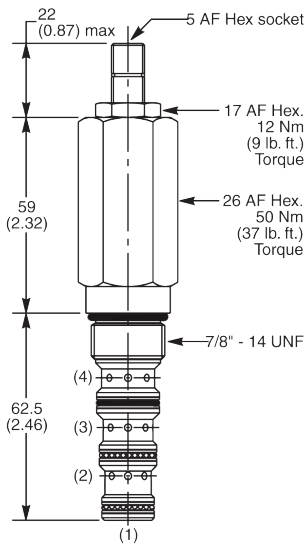
B04D3PZN

Dimensions Millimeters (inches)

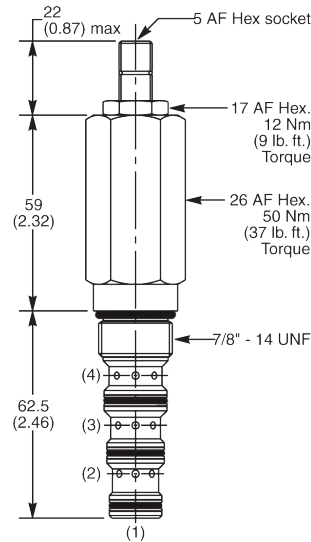


Series	Body	Max Inlet Pressure (bar)	Standard Setting (bar)	Flow Rating (l/min)	Adjustment Range (bar)	Features
B04D3PZN	B10-3S-8B	420	200	70	10 to 420	• High flow capacity

Direct Acting

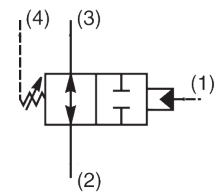
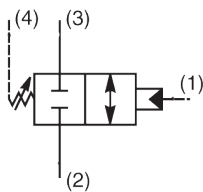


B04H4GZN



B04J4GZN

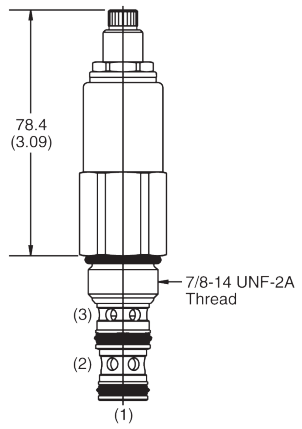
Dimensions Millimeters (inches)



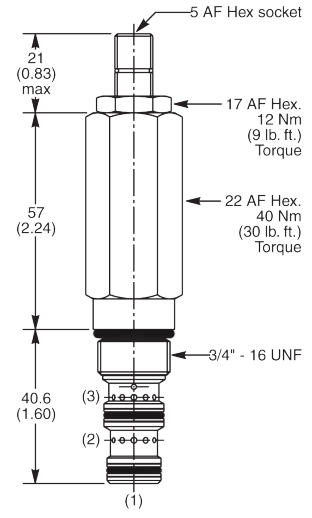
Series	Body	Max Inlet Pressure (bar)	Standard Setting (bar)	Flow Rating (l/min)	Adjustment Range (bar)	Features
B04H4GZN	B10-4-8B	420	80	47	2 to 166	• External pilot and drain
B04J4GZN	B10-4-8B	420	80	47	2 to 166	

- CV
Check Valves
- SV
Shuttle Valves
- LM
Load/Motor Controls
- FC
Flow Controls
- PC
Pressure Controls
- LE
Logic Elements
- DC
Directional Controls
- SV
Solenoid Valves
- PV
Proportional Valves
- CE
Coils & Electronics
- BC
Bodies & Cavities

Direct Acting

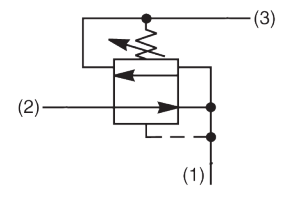


PR103S



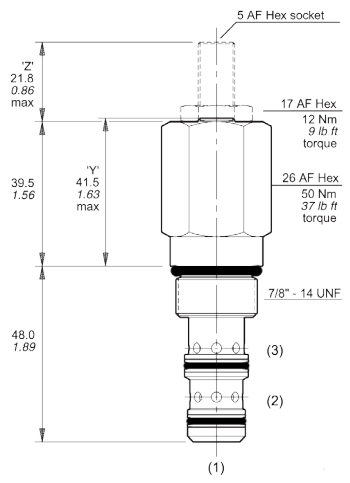
C02A3CZN / C02A3GZN

Dimensions Millimeters (inches)

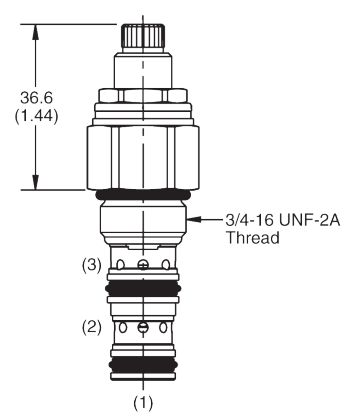


Series	Body	Max Inlet Pressure (bar)	Flow Rating (l/min)	Reducing Pressure Range (bar)	Features
C02A3CZN	B08-3-6B	420	20	5 to 40	• Partial reverse flow capacity
C02A3GZN	B08-3-6B	420	20	50 to 150	
PR103S21	B10-3-8B	210	56	28 to 124	

Pilot Operated

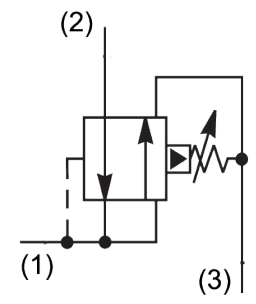


C04B3MZN



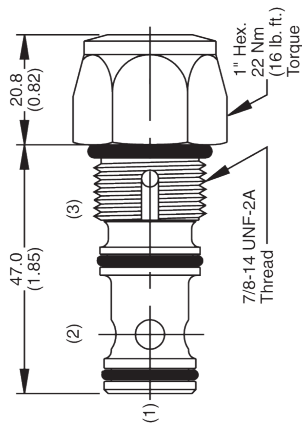
PRH081S50

Dimensions Millimeters (inches)

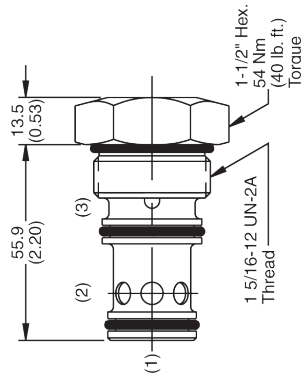


Series	Body	Max Inlet Pressure (bar)	Standard Setting (bar)	Flow Rating (l/min)	Reducing Pressure Range (bar)	Features
C04B3MZN	B10-3-8B	420	100	120	10 to 210	• Internal screening pilot protection. (PRH only) • Low pressure rise / flow characteristics.
PRH081S50	B08-3-6B	380	172.4	30	14 to 345	

Poppet Type

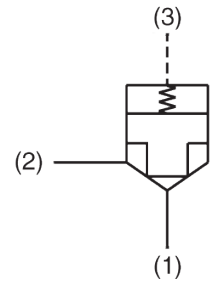


10SLC1-A-150



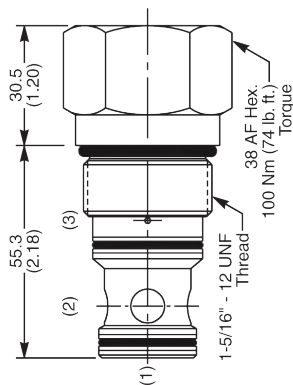
16SLC1-A-50

Dimensions Millimeters (inches)

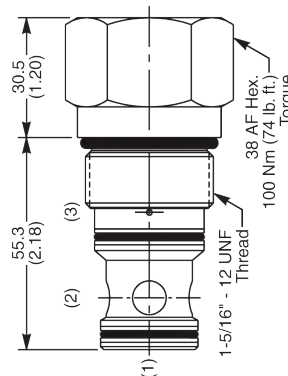
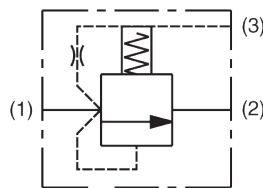


Series	Body	Max Inlet Pressure (bar)	Bias Spring (bar)	Flow Rating (l/min)	Features
10SLC1-A-150	B10-3S-8B	240	10.3	57	• Typically used to perform high flow directional switching operations.
16SLC1-A-50	B16-3S-16B	240	3.5	189	

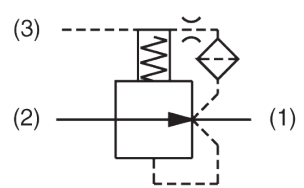
Spool Type



R06F3-5.5N
Normally Closed



R06G3-5.5N
Normally Open

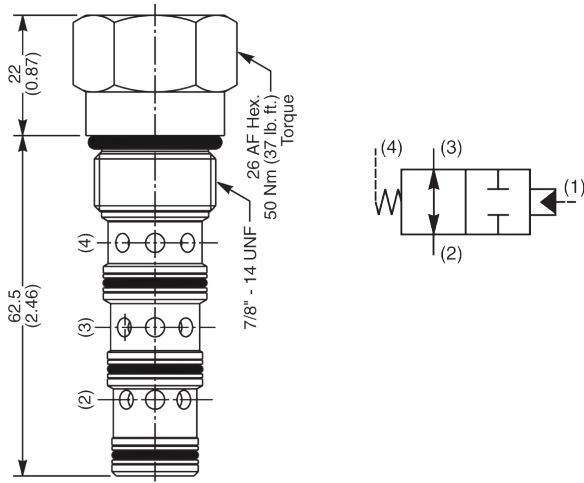


Series	Body	Max Inlet Pressure (bar)	Switching Pressure (bar)	Flow Rating (l/min)	Features
R06F3-5.5N	B16-3S-16B	420	5.5	270	• Typical application - to control flow or to regulate pressure.
R06G3-5.5N	B16-3S-16B	420	5.5	90	

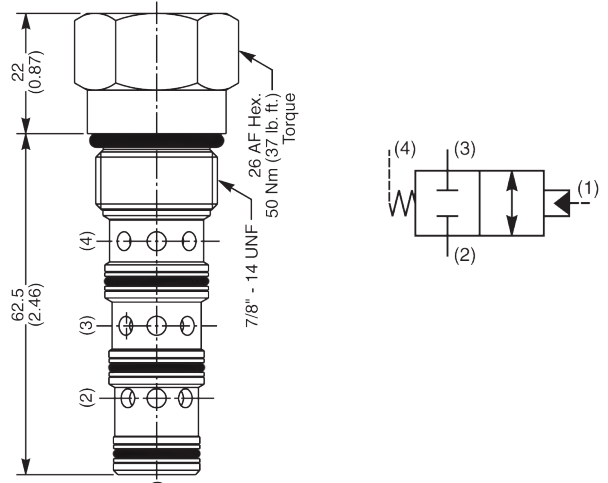
- CV
Check Valves
- SV
Shuttle Valves
- LM
Load/Motor Controls
- FC
Flow Controls
- PC
Pressure Controls
- LE
Logic Elements
- DC
Directional Controls
- SV
Solenoid Valves
- PV
Proportional Valves
- CE
Coils & Electronics
- BC
Bodies & Cavities

Diverter Type

Dimensions Millimeters (inches)



R04A4-5.0NS

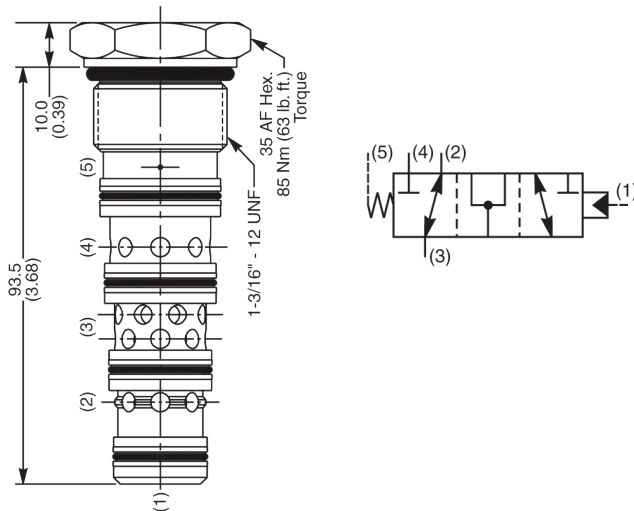


R04B4-5.0NS

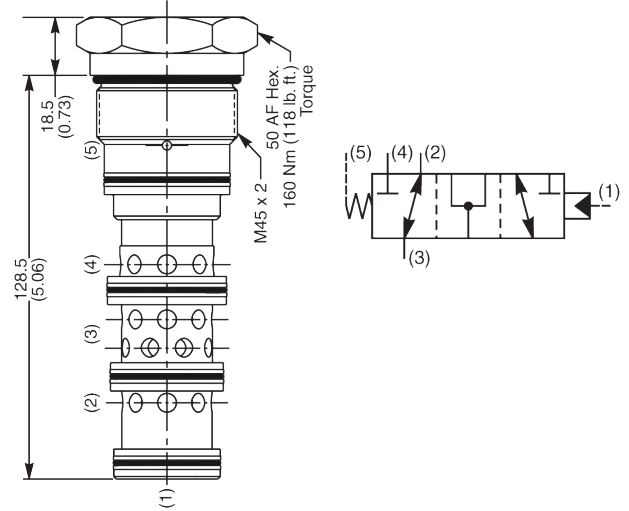
Series	Body	Max Inlet Pressure (bar)	Switching Pressure (bar)	Flow Rating (l/min)	Features
R04A4-5.0NS	B10-4-8B	420	5	47	• Range of switching pressures available
R04B4-5.0NS	B10-4-8B	420	5	47	• Sealed pilot

Pilot Operated

Dimensions Millimeters (inches)



N5A125-6.9N

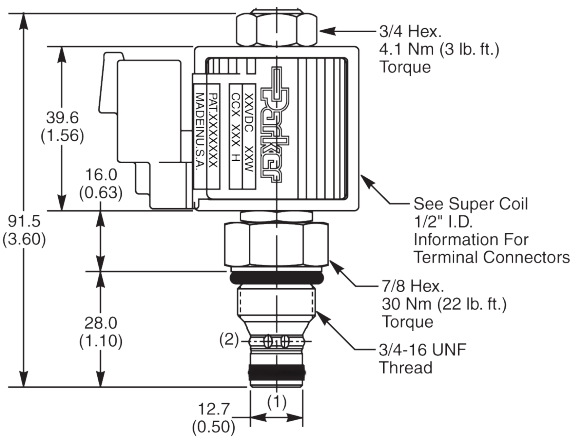


N5A300-6.9N

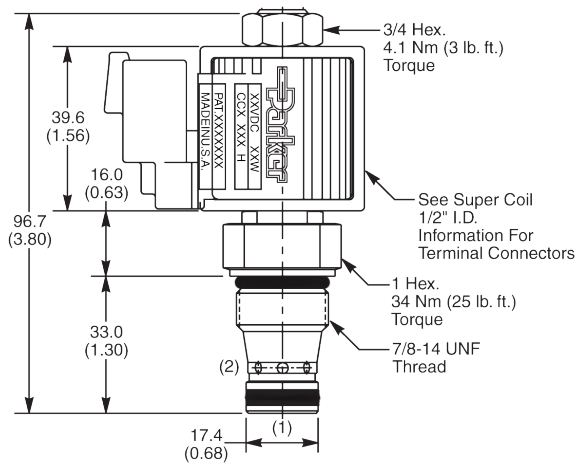
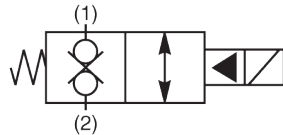
Series	Body	Max Inlet Pressure (bar)	Switching Pressure (bar)	Flow Rating (l/min)	Features
N5A125-6.9N	LB10314S	420	6.9	90	• Range of switching pressures available
N5A300-6.9N	LB10316S	420	6.9	270	

2 Way Bi-Directional Poppet

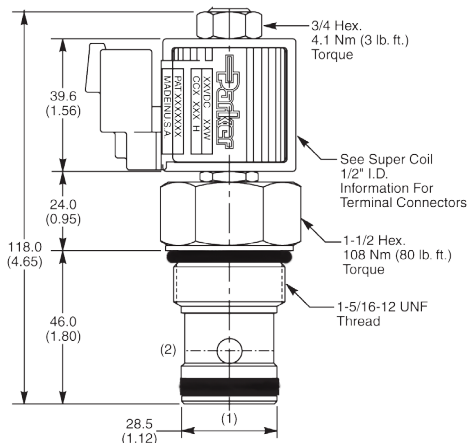
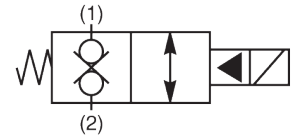
Dimensions Millimeters (inches)



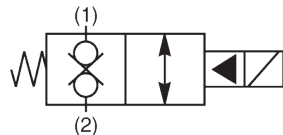
GS028100N



GS048100N



GS068100N



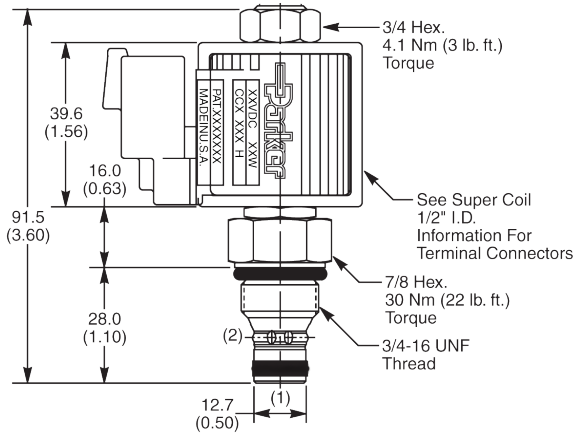
Series	Body	Max Inlet Pressure (bar)	Coil Type	Flow Rating (l/min)	Features
GS028100N	B08-2-6B	350	CC	34	<ul style="list-style-type: none"> • Normally closed • Bi-directional poppet valve
GS048100N	LB10545S	350	CC	68	
GS068100N	B16-2-16B	350	CC	190	

- CV
- Check Valves
- SV
- Shuttle Valves
- LM
- Load/Motor Controls
- FC
- Flow Controls
- PC
- Pressure Controls
- LE
- Logic Elements
- DC
- Directional Controls
- SV
- Solenoid Valves
- PV
- Proportional Valves
- CE
- Coils & Electronics
- BC
- Bodies & Cavities

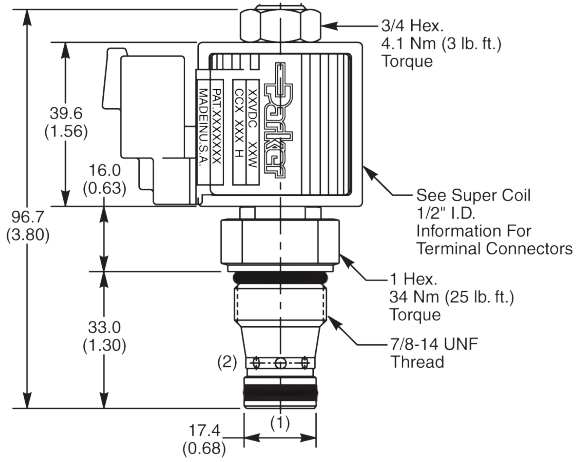
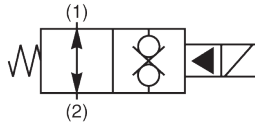
- CV
Check Valves
- SV
Shuttle Valves
- LM
Load/Motor Controls
- FC
Flow Controls
- PC
Pressure Controls
- LE
Logic Elements
- DC
Directional Controls
- SV
Solenoid Valves
- PV
Proportional Valves
- CE
Coils & Electronics
- BC
Bodies & Cavities

2 Way Bi-Directional Poppet

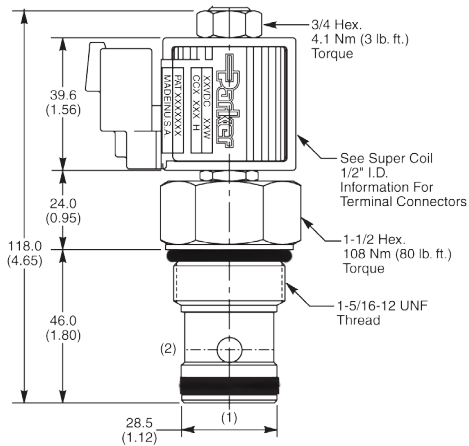
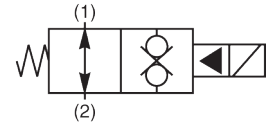
Dimensions Millimeters (inches)



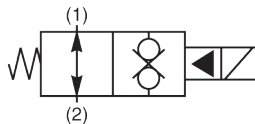
GS028600N



GS048600N



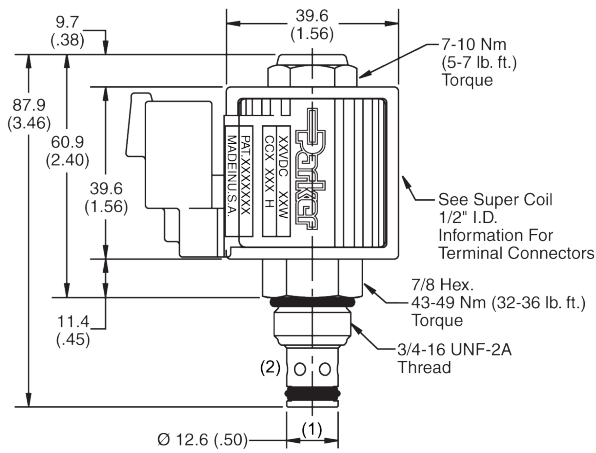
GS068600N



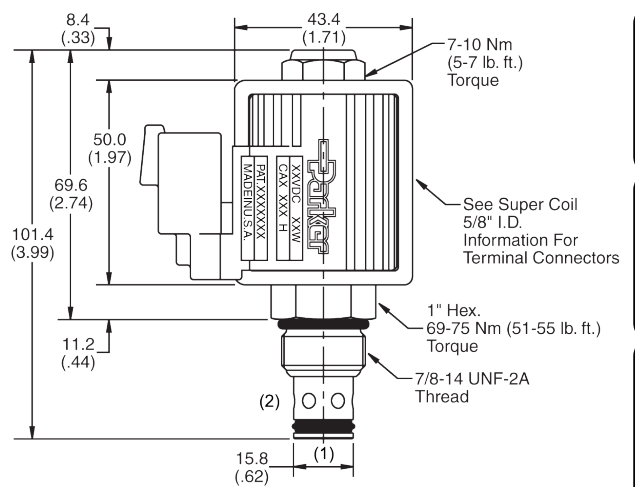
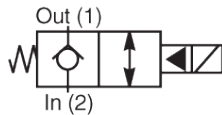
Series	Body	Max Inlet Pressure (bar)	Coil Type	Flow Rating (l/min)	Features
GS028600N	B08-2-6B	350	CC	34	<ul style="list-style-type: none"> • Normally open • Bi-directional poppet valve
GS048600N	LB10545S	350	CC	68	
GS068600N	B16-2-16B	350	CC	190	

2 Way Poppet - Normally Closed

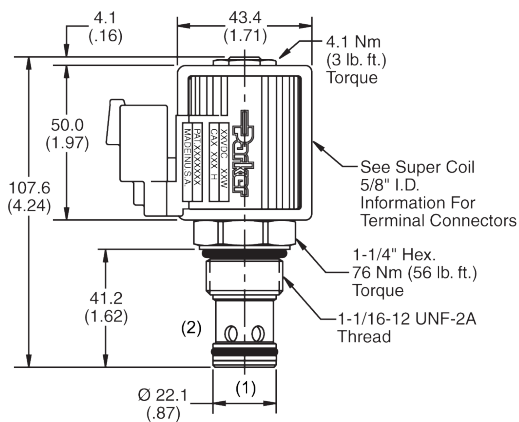
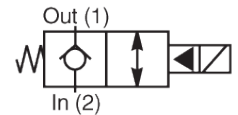
Dimensions Millimeters (inches)



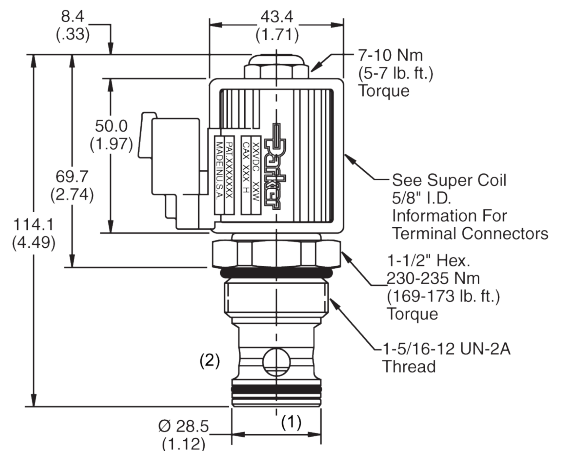
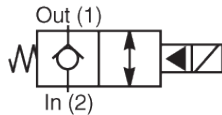
DSH081CR



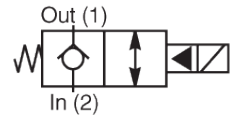
DSH101CR



DSH121CR



DSH161CR

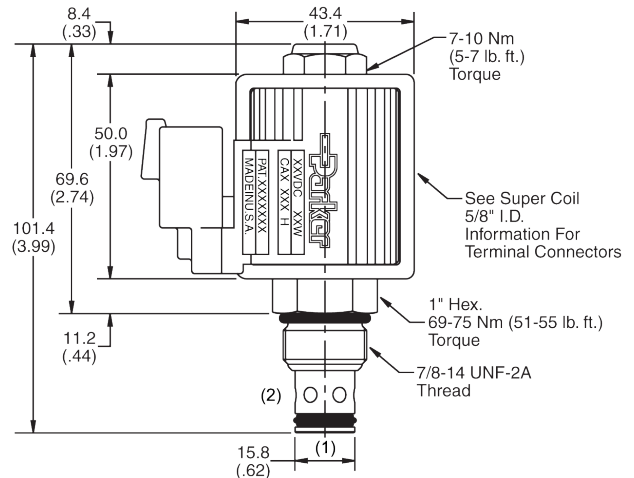
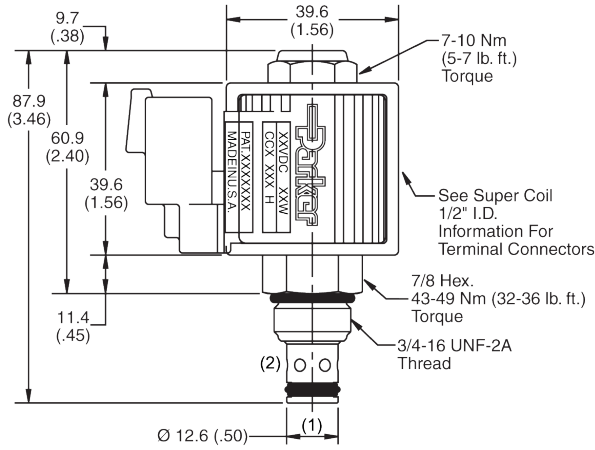


Series	Body	Max Inlet Pressure (bar)	Coil Type	Flow Capacity (l/min)	Features
DSH081CR	B08-2-6B	350	CC	30	<ul style="list-style-type: none"> Free reverse flow Low leakage
DSH101CR	B10-2-8B	350	CA	60	
DSH121CR	B12-2-12B	350	CA	90	
DSH161CR	B16-2-16B	210	CA	350	

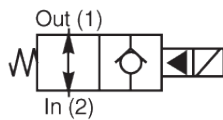
- CV
Check Valves
- SV
Shuttle Valves
- LM
Load/Motor Controls
- FC
Flow Controls
- PC
Pressure Controls
- LE
Logic Elements
- DC
Directional Controls
- SV
Solenoid Valves
- PV
Proportional Valves
- CE
Coils & Electronics
- BC
Bodies & Cavities

2 Way Poppet - Normally Open

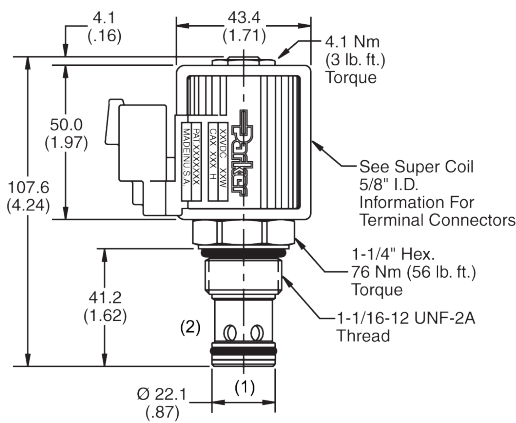
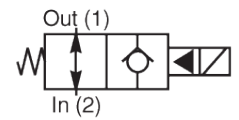
Dimensions Millimeters (inches)



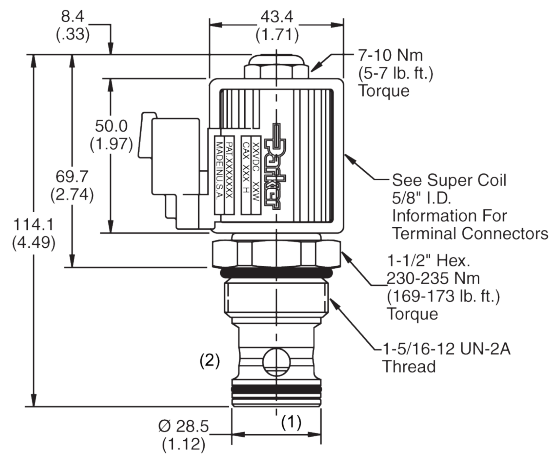
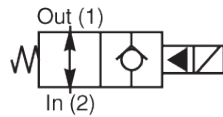
DSH081NR



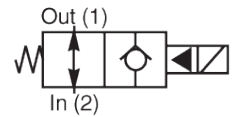
DSH101NR



DSH121NR



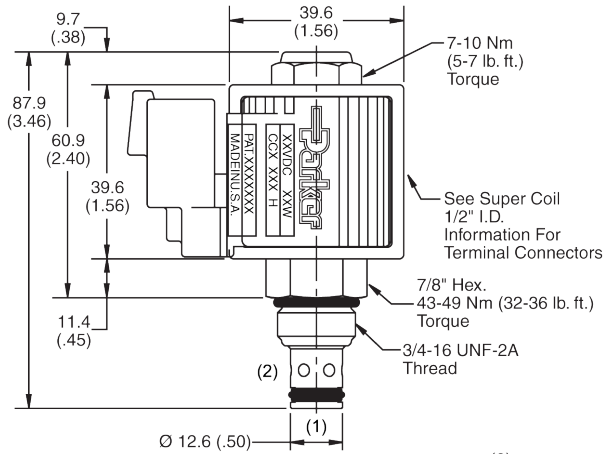
DSH161NR



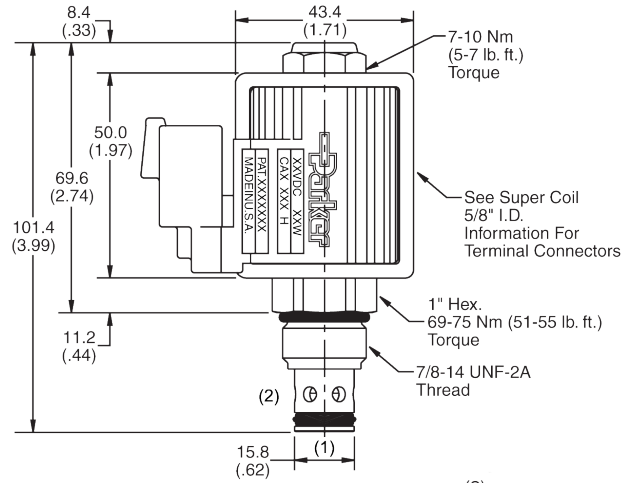
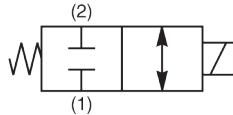
Series	Body	Max Inlet Pressure (bar)	Coil Type	Flow Rating (l/min)	Features
DSH081NR	B08-2-6B	350	CC	30	<ul style="list-style-type: none"> • Low leakage • Free reverse flow
DSH101NR	B10-2-8B	350	CA	60	
DSH121NR	B12-2-12B	350	CA	90	
DSH161NR	B16-2-16B	210	CA	350	

2 Way Spool - Normally Closed

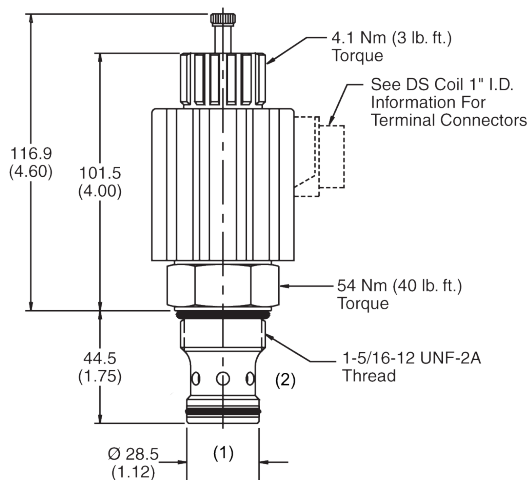
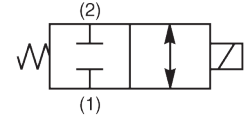
Dimensions Millimeters (inches)



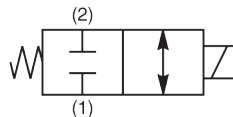
DSH082C



DSH102C



DS162C

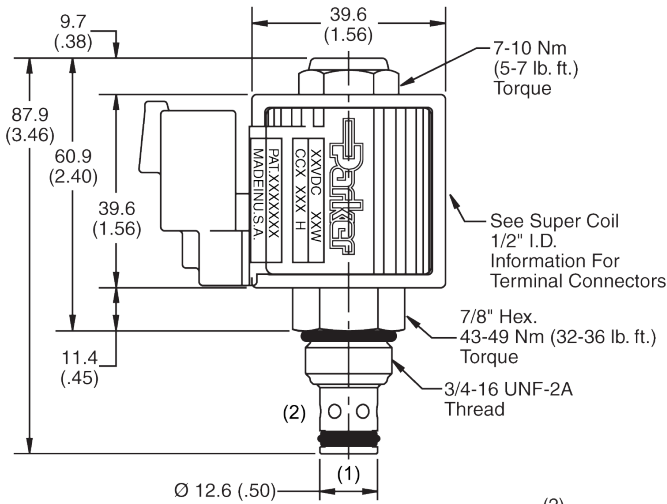


Series	Body	Max Inlet Pressure (bar)	Coil Type	Flow Rating (l/min)	Features
DSH082C	B08-2-6B	350	CC	15	• Normally closed
DSH102C	B10-2-8B	350	CA	30	• Normally closed
DS162C	B16-2-16B	210	Series 1"	75	• Normally closed

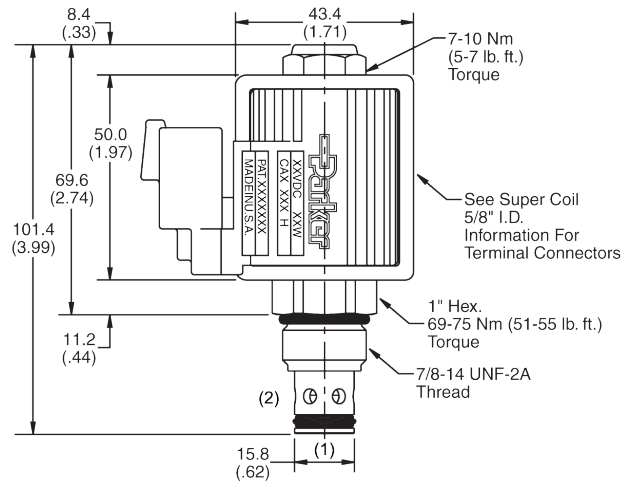
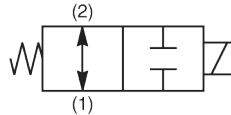
- CV
Check Valves
- SV
Shuttle Valves
- LM
Load/Motor Controls
- FC
Flow Controls
- PC
Pressure Controls
- LE
Logic Elements
- DC
Directional Controls
- SV
Solenoid Valves
- PV
Proportional Valves
- CE
Coils & Electronics
- BC
Bodies & Cavities

2 Way Spool Normally Open

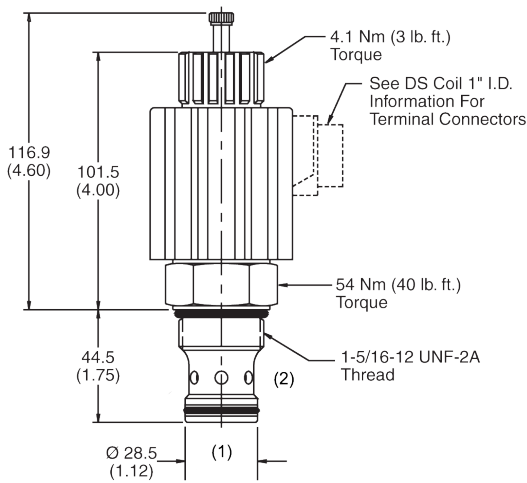
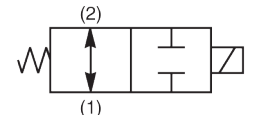
Dimensions Millimeters (inches)



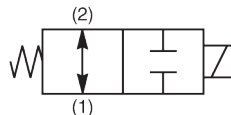
DSH082N



DSH102N



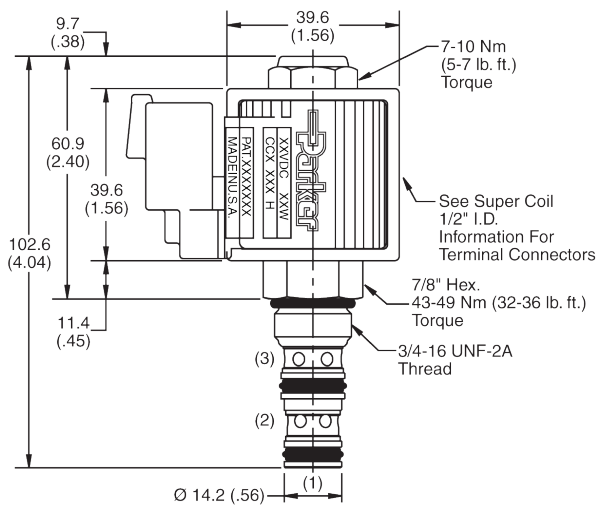
DS162N



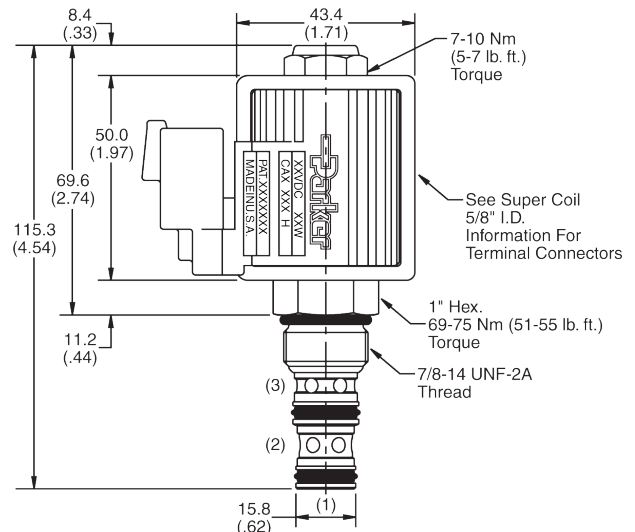
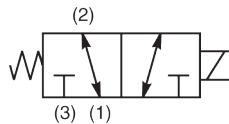
Series	Body	Max Inlet Pressure (bar)	Coil Type	Flow Rating (l/min)	Features
DSH082N	B08-2-6B	350	CC	8.4	• Normally open
DSH102N	B10-2-8B	350	CA	19	• Normally open
DS162N	B16-2-16B	210	Series 1"	75	• Normally open

3 Way Spool Normally Closed

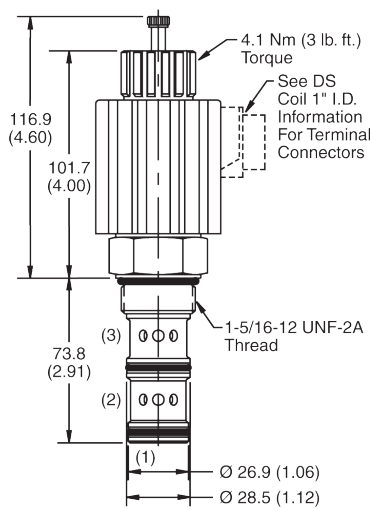
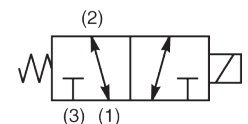
Dimensions Millimeters (inches)



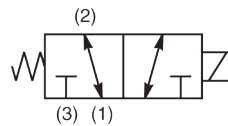
DSH083B



DSH103B



DS163

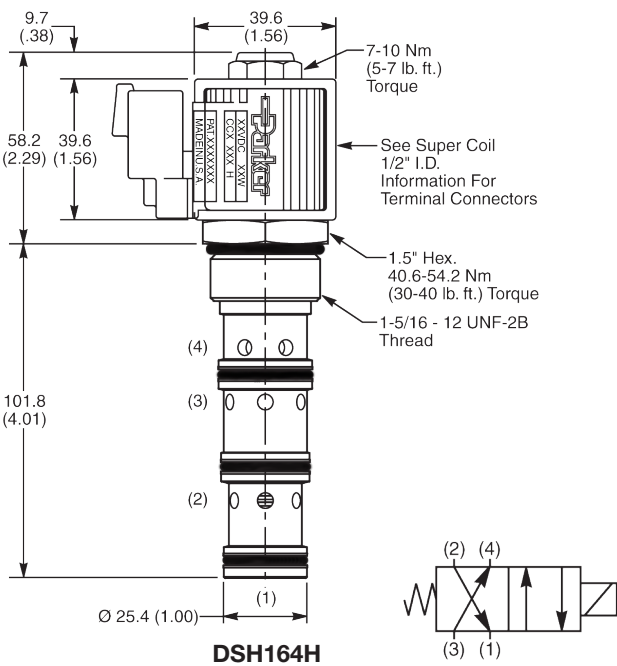
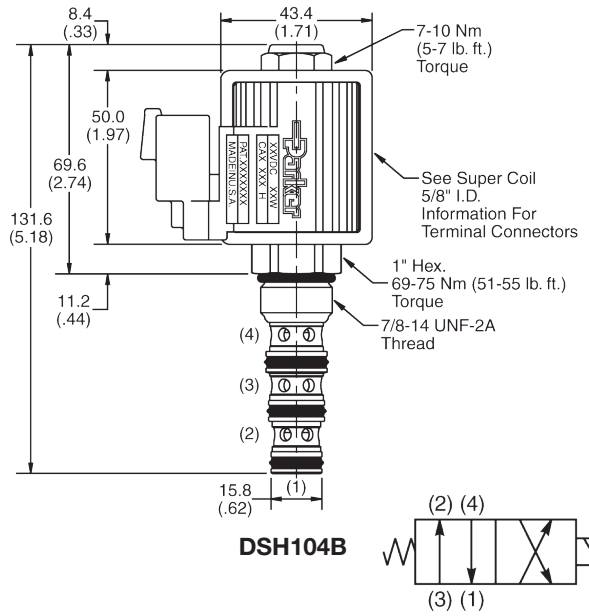
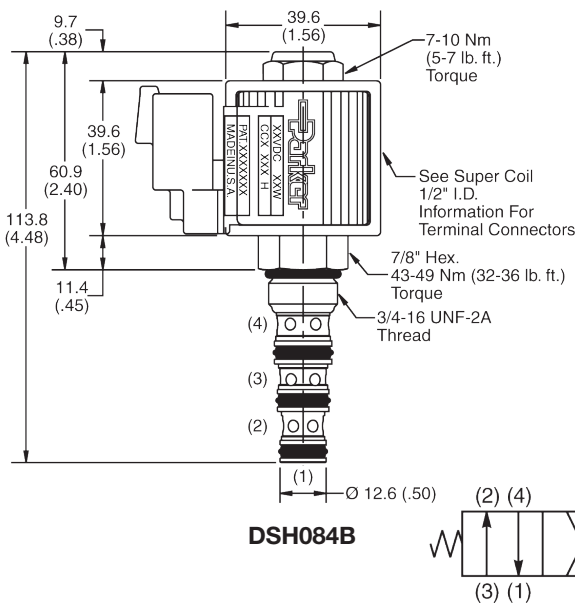


Series	Body	Max Inlet Pressure (bar)	Coil Type	Flow Rating (l/min)	Features
DSH083B	B08-3-6B	350	CC	15	• Normally closed
DSH103B	B10-3-8B	350	CA	30	• Normally closed
DS163	B16-3-16B	210	Series 1"	42	• Normally closed

- CV
Check Valves
- SV
Shuttle Valves
- LM
Load/Motor Controls
- FC
Flow Controls
- PC
Pressure Controls
- LE
Logic Elements
- DC
Directional Controls
- SV
Solenoid Valves
- PV
Proportional Valves
- CE
Coils & Electronics
- BC
Bodies & Cavities

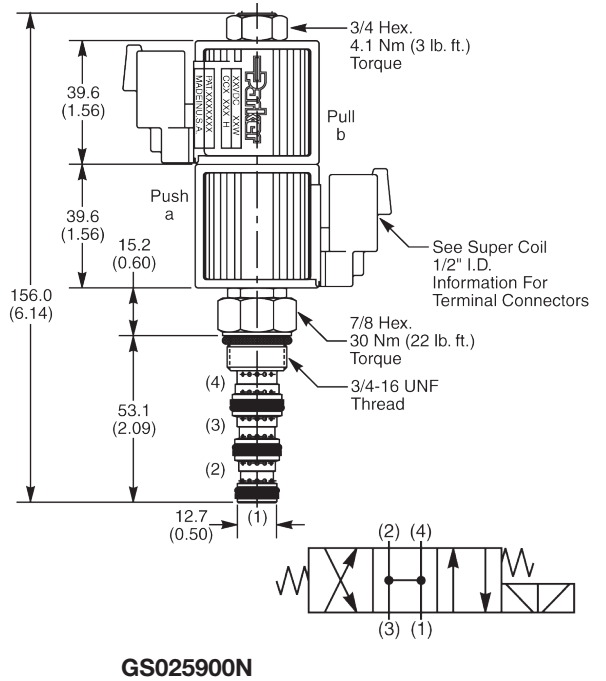
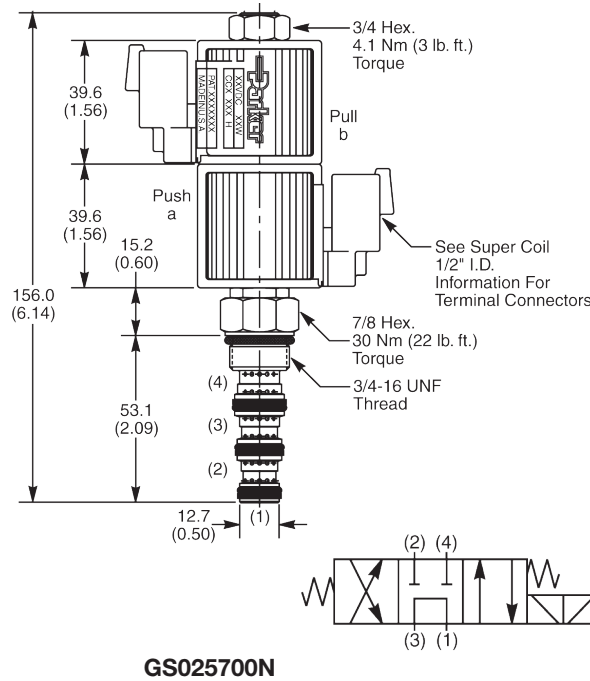
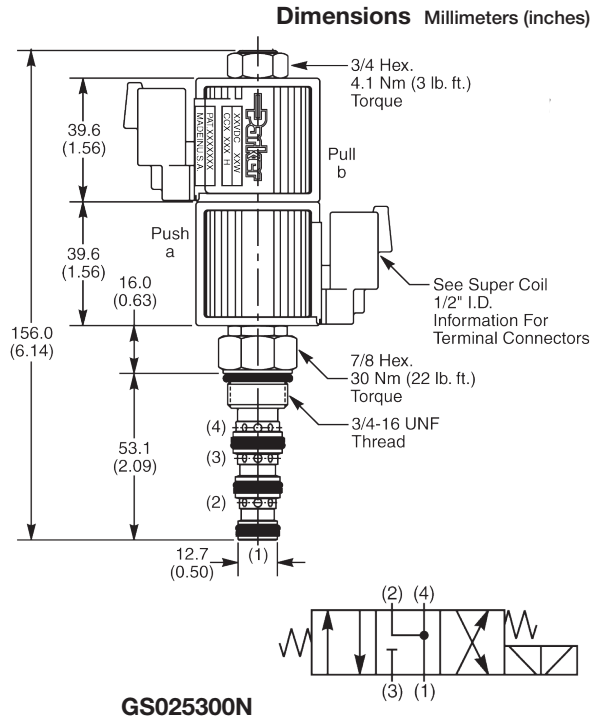
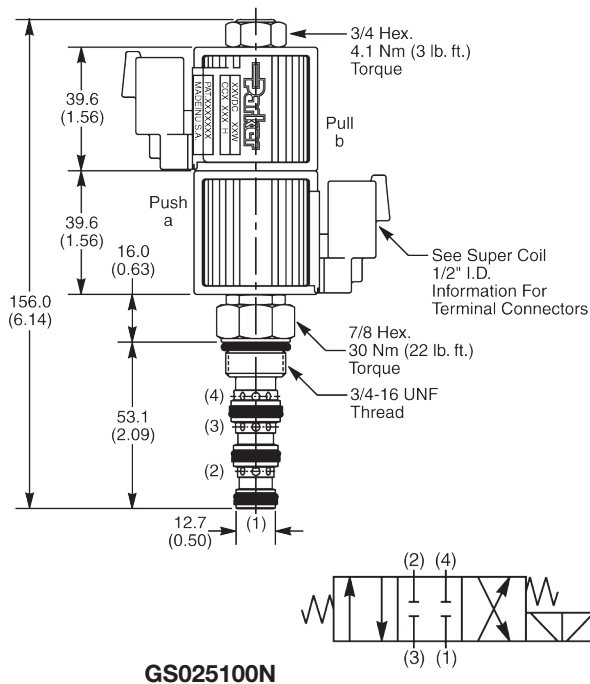
4 Way 2 Position Spool - Normally Closed

Dimensions Millimeters (inches)



Series	Body	Max Inlet Pressure (bar)	Coil Type	Flow Rating (l/min)	Features
DSH084B	B08-4-6B	350	CC	11 to 15	• Normally closed
DSH104B	B10-4-8B	350	CA	23 to 38	• Normally closed
DSH164H	B16-4-16B	350	CC	114	• Normally closed • Pilot operated

4 Way 3 Position Spool



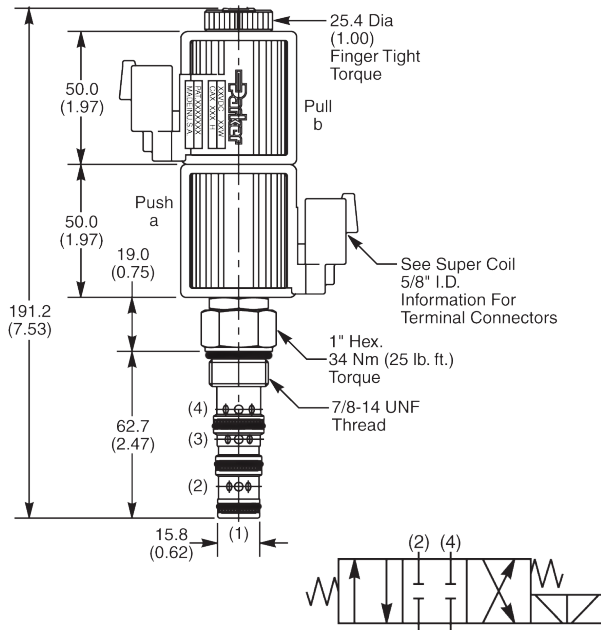
Series	Body	Max Inlet Pressure (bar)	Coil Type	Flow Rating (l/min)	Features
GS025100N	B08-4-6B	350	CC	17	<ul style="list-style-type: none"> • Double acting cylinder and bi-directional motor application. • Use with 2 pcs CC type coil
GS025300N	B08-4-6B	350	CC	15	
GS025700N	B08-4-6B	350	CC	13.3	
GS025900N	B08-4-6B	350	CC	13.3	

- CV Check Valves
- SV Shuttle Valves
- LM Load/Motor Controls
- FC Flow Controls
- PC Pressure Controls
- LE Logic Elements
- DC Directional Controls
- SV Solenoid Valves
- PV Proportional Valves
- CE Coils & Electronics
- BC Bodies & Cavities

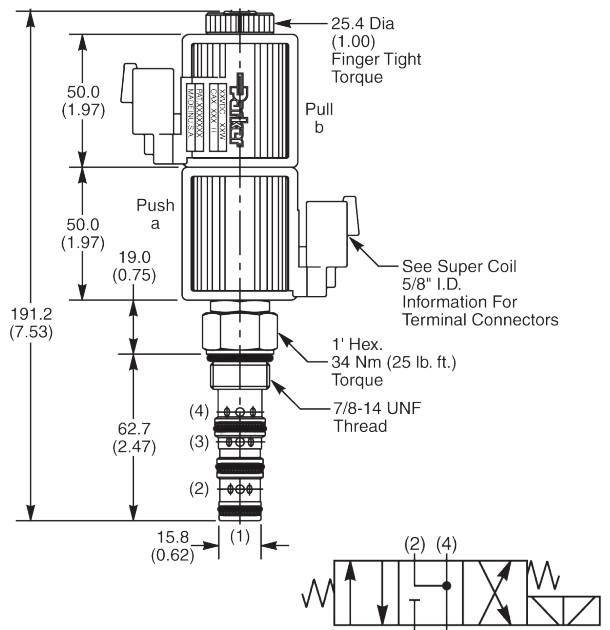
- CV
Check Valves
- SV
Shuttle Valves
- LM
Load/Motor Controls
- FC
Flow Controls
- PC
Pressure Controls
- LE
Logic Elements
- DC
Directional Controls
- SV
Solenoid Valves
- PV
Proportional Valves
- CE
Coils & Electronics
- BC
Bodies & Cavities

4 Way 3 Position Spool

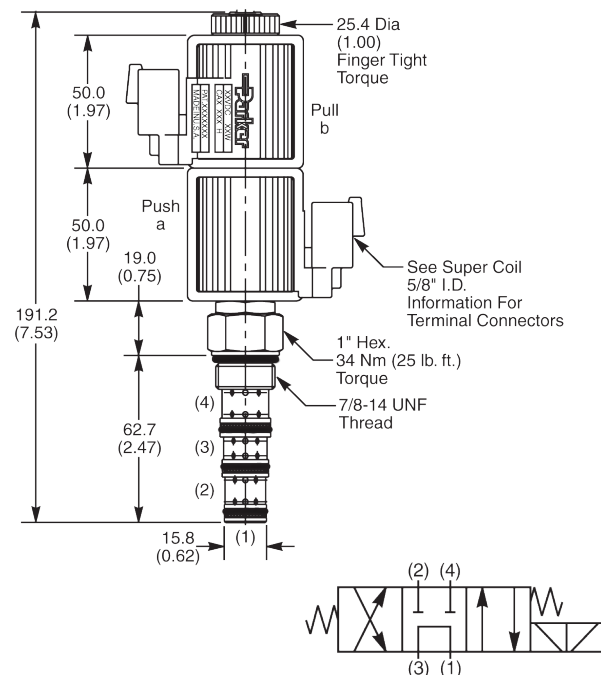
Dimensions Millimeters (inches)



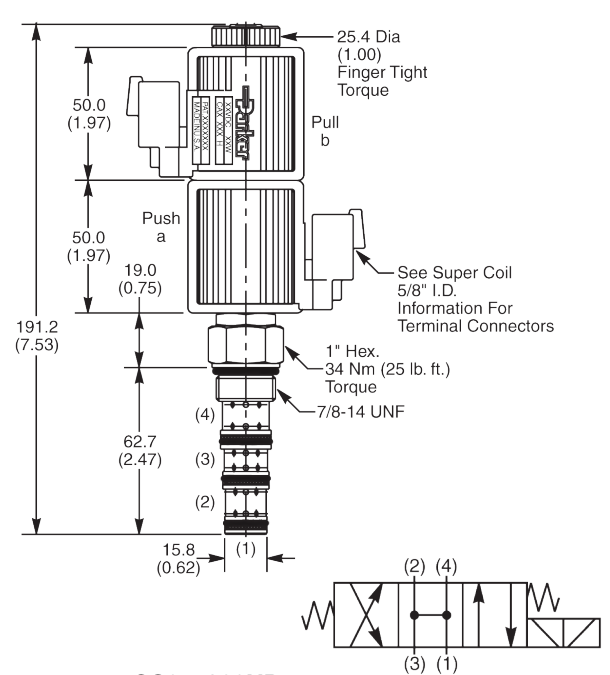
GS045200ND



GS045400ND



GS045700ND

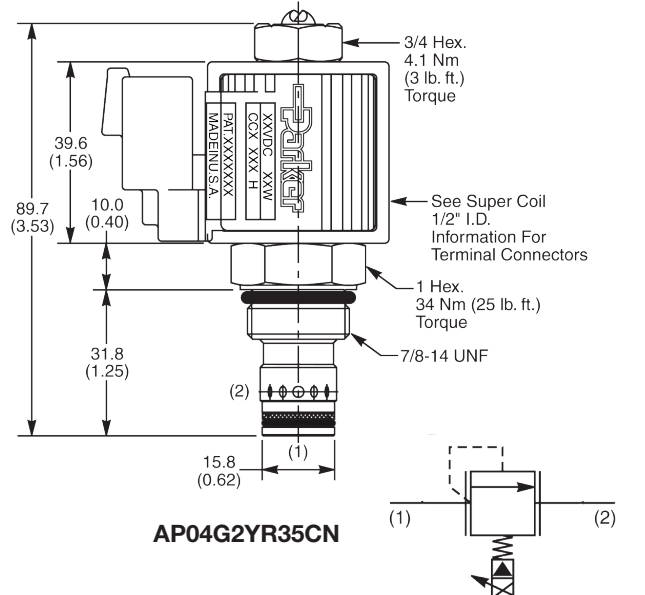
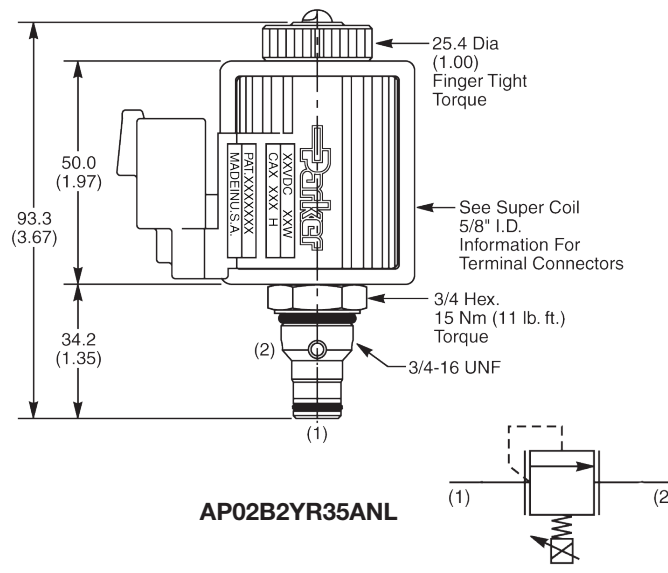
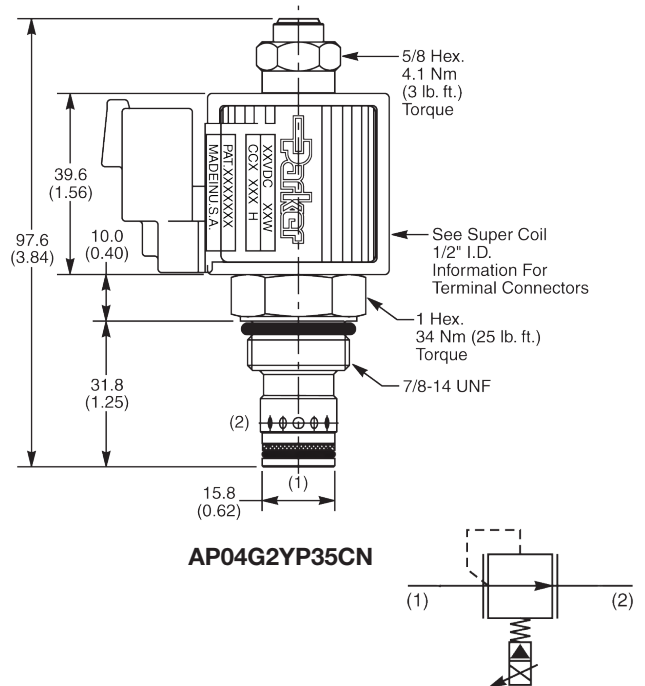
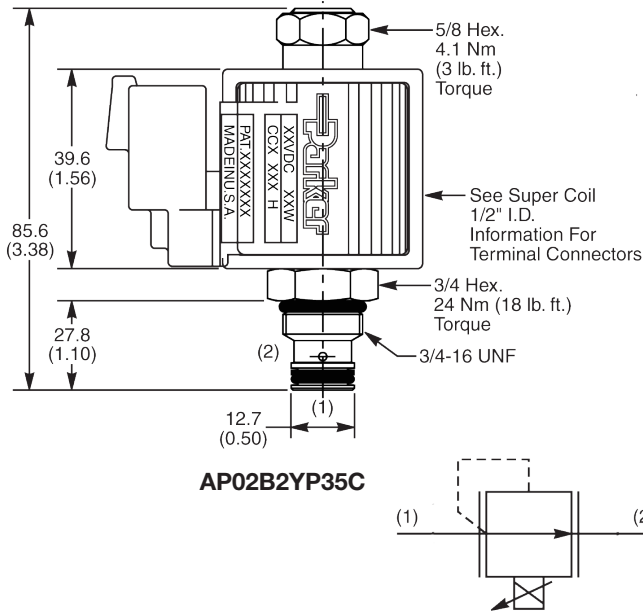


GS045900ND

Series	Body	Max Inlet Pressure (bar)	Coil Type	Flow Rating (l/min)	Features
GS045200ND	B10-4-8B	350	CA	42	<ul style="list-style-type: none"> • Double acting cylinder and bi-directional motor application. • Use with 2 pcs CA type coil
GS045400ND	B10-4-8B	350	CA	42	
GS045700ND	B10-4-8B	350	CA	42	
GS045900ND	B10-4-8B	350	CA	42	

Pressure Relieving

Dimensions Millimeters (inches)



Series	Body	Max Inlet Pressure (bar)	Valve Type (De-energised condition)	Flow Capacity (l/min)	Coil Type	Features
AP02B2YP35C	B08-2-6B	350	Open	1.3	CC	• Alternative pressure settings available upon request.
AP04G2YP35CN	B10-2-8B	350	Open	95	CC	
AP02B2YR35ANL	B08-2-6B	350	Closed	1.9	CA	
AP04G2YR35CN	B10-2-8B	350	Closed	95	CC	

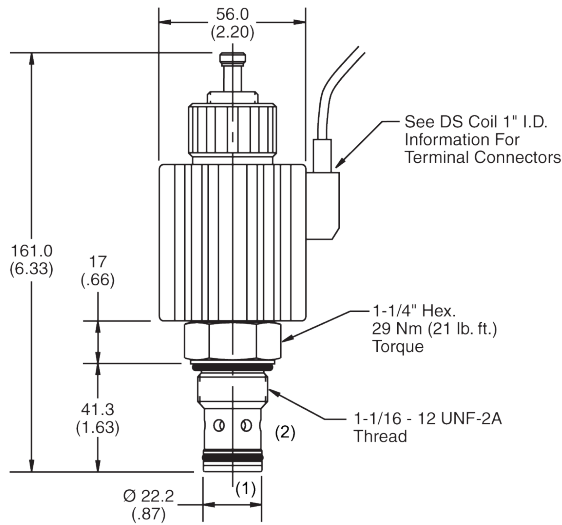
- CV
- Check Valves
- SV
- Shuttle Valves
- LM
- Load/Motor Controls
- FC
- Flow Controls
- PC
- Pressure Controls
- LE
- Logic Elements
- DC
- Directional Controls
- SV
- Solenoid Valves
- PV
- Proportional Valves
- CE
- Coils & Electronics
- BC
- Bodies & Cavities



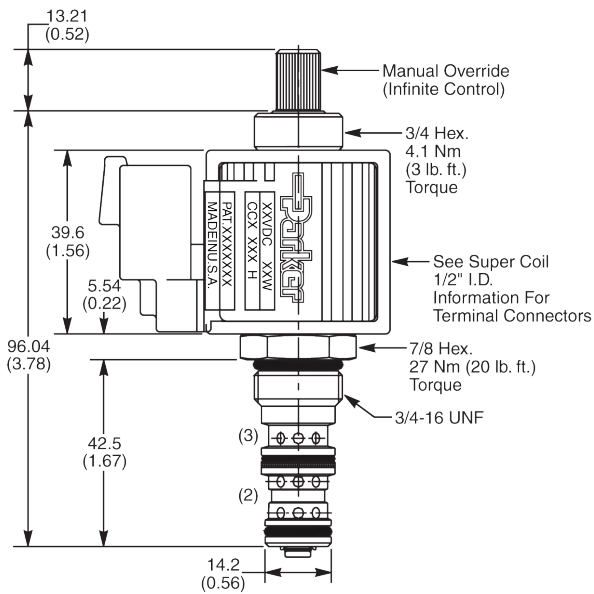
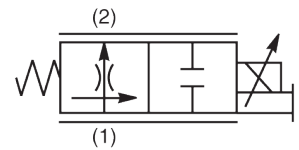
- CV
Check Valves
- SV
Shuttle Valves
- LM
Load/Motor Controls
- FC
Flow Controls
- PC
Pressure Controls
- LE
Logic Elements
- DC
Directional Controls
- SV
Solenoid Valves
- PV
Proportional Valves
- CE
Coils & Electronics
- BC
Bodies & Cavities

Normally Open Flow Control

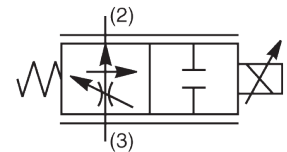
Dimensions Millimeters (inches)



DF122N14



JP02P2100N



Series	Body	Max Inlet Pressure (bar)	Flow Rating (l/min)	Coil Type
DF122N14	B12-2-12B	210	53	1" Series
JP02P2100N	B08-3-6B	210	19	CC

CV

Check Valves

SV

Shuttle Valves

LM

Load/Motor Controls

FC

Flow Controls

PC

Pressure Controls

LE

Logic Elements

DC

Directional Controls

SV

Solenoid Valves

PV

Proportional Valves

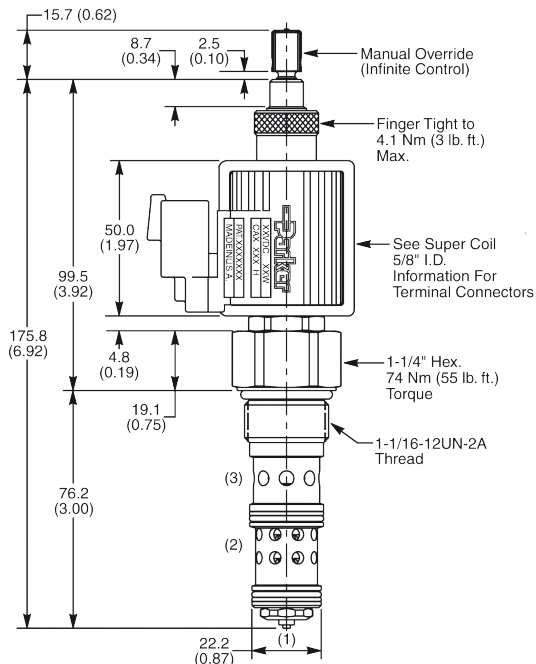
CE

Coils & Electronics

BC

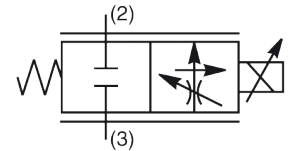
Bodies & Cavities

2 Way Flow Controls

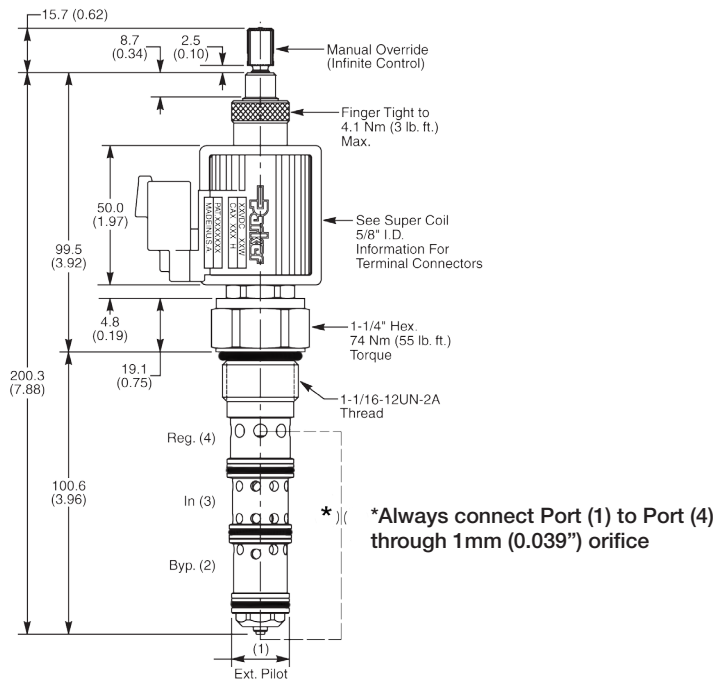


DFA125C21SN

Dimensions Millimeters (inches)

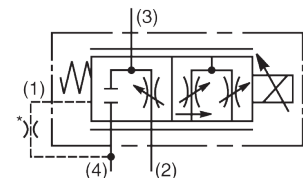


3 Way Flow Controls



DFA125C31SN

Dimensions Millimeters (inches)

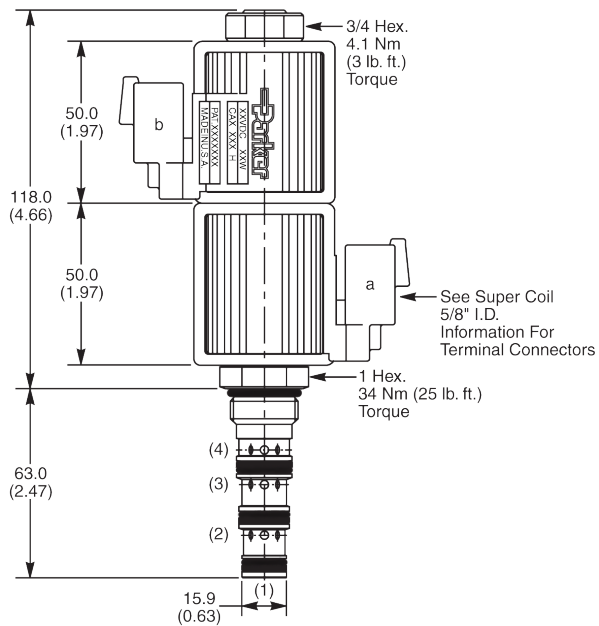


*Always connect Port (1) to Port (4) through 1mm (0.039") orifice

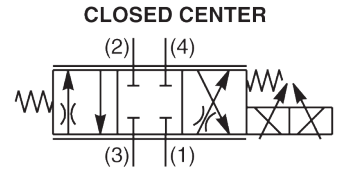
Series	Body	Max Inlet Pressure (bar)	Input Flow Capacity (l/min)	Output Flow Capacity (l/min)	Coil Type	Features
DFA125C21SN	B12-3L-12T	210	75	56.8	CA	• Pressure compensated on all ports
DFA125C31SN	B12-4L-12T	210	75	56.8	CA	

- CV
Check Valves
- SV
Shuttle Valves
- LM
Load/Motor Controls
- FC
Flow Controls
- PC
Pressure Controls
- LE
Logic Elements
- DC
Directional Controls
- SV
Solenoid Valves
- PV
Proportional Valves
- CE
Coils & Electronics
- BC
Bodies & Cavities

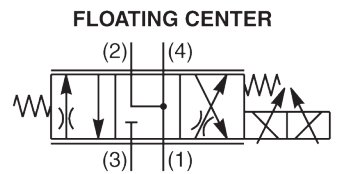
4 Way Directional Controls



Dimensions Millimeters (inches)



DSP105C1

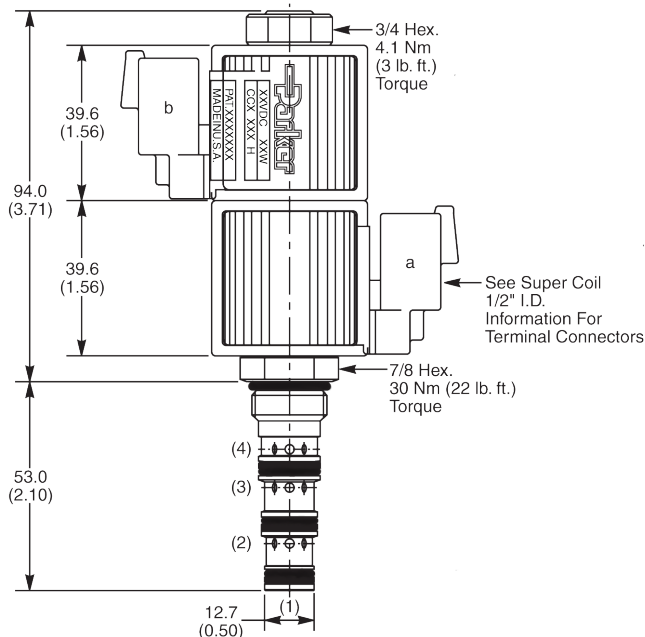


DSP105C4

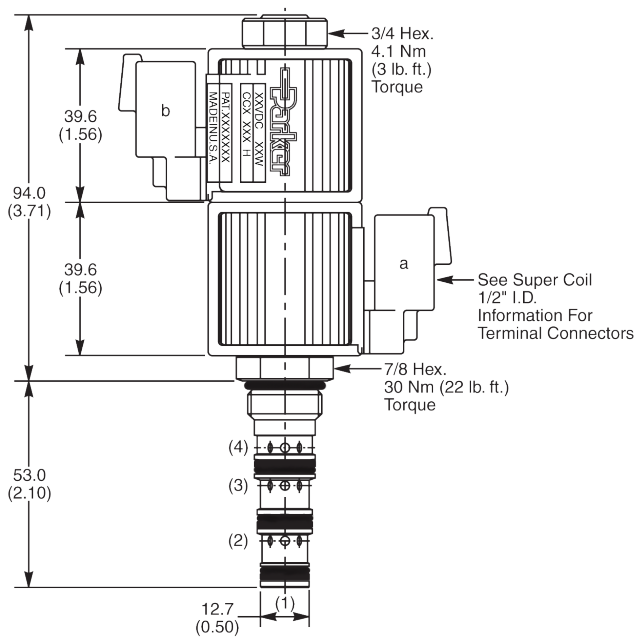
DSP105C1 / DSP105C4

Series	Body	Max Tank Pressure (bar)	Max Inlet Pressure (bar)	Flow Rating (l/min)	Coil Type	Features
DSP105C1	B10-4-8B	210	350	32	CA	• Pressure compensated on all ports
DSP105C4	B10-4-8B	210	350	32	CA	

4 Way

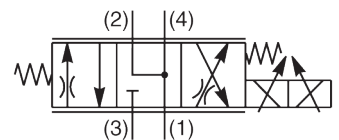
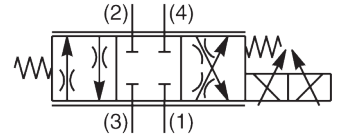


GP0251N



GP0253N

Dimensions Millimeters (inches)



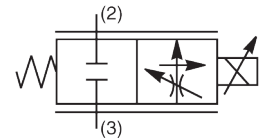
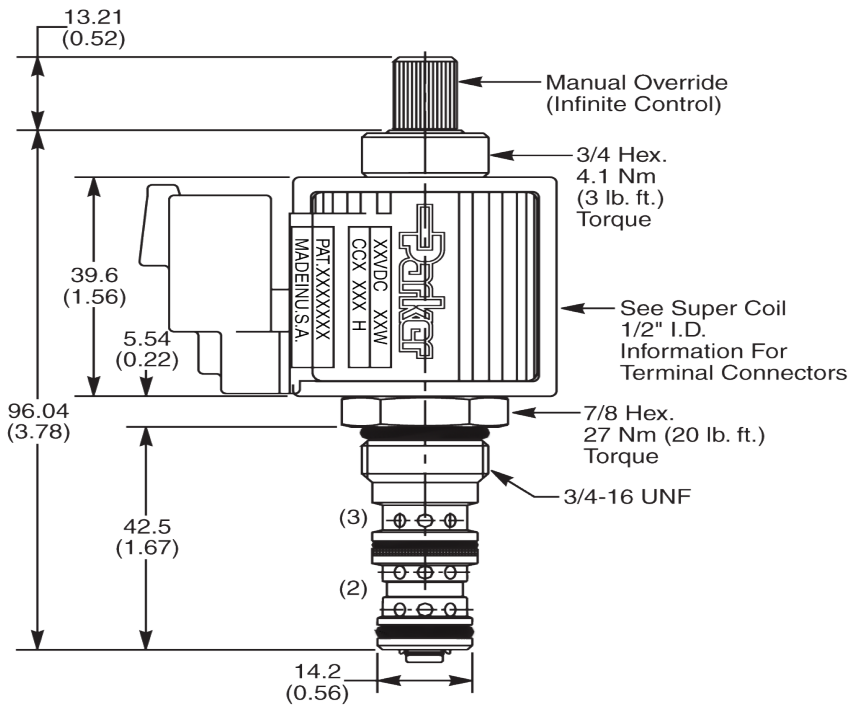
Series	Body	Max Tank Line Pressure (bar)	Max Inlet Pressure (bar)	Flow Rating (l/min)	Coil Type	Features
GP0251N	B08-4-6B	210	350	17	CC	• Can be used with a separate compensator.
GP0253N	B08-4-6B	210	350	15	CC	

- CV
- Check Valves
- SV
- Shuttle Valves
- LM
- Load/Motor Controls
- FC
- Flow Controls
- PC
- Pressure Controls
- LE
- Logic Elements
- DC
- Directional Controls
- SV
- Solenoid Valves
- PV
- Proportional Valves
- CE
- Coils & Electronics
- BC
- Bodies & Cavities

- CV
Check Valves
- SV
Shuttle Valves
- LM
Load/Motor Controls
- FC
Flow Controls
- PC
Pressure Controls
- LE
Logic Elements
- DC
Directional Controls
- SV
Solenoid Valves
- PV
Proportional Valves
- CE
Coils & Electronics
- BC
Bodies & Cavities

Normally Closed Flow Control

Dimensions Millimeters (inches)

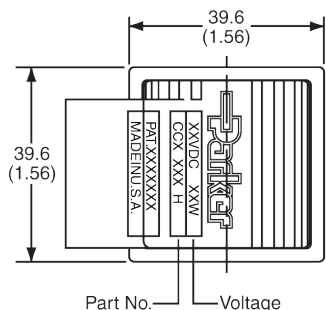
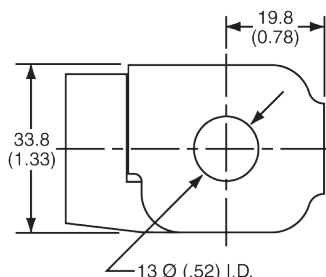


JP02C2100N

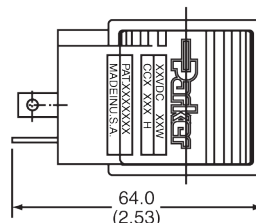
Series	Body	Max Inlet Pressure (bar)	Coil Type	Flow Rating (l/min)	Features
JP02C2100N	B08-3-6B	210	CC	23	<ul style="list-style-type: none"> Non-magnetic spool and housing assembly.

CC Type

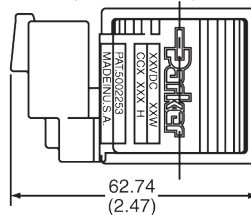
Dimensions Millimeters (inches)



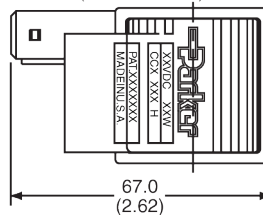
D - DIN 43650
 (ground wire on AC only)



H - Integral Deutsch
 DT04 - 2P - EP04
HE - Integral Deutsch
 with 3 Amp Diode
 (+ and - metered)



A - Amp Junior
AD - Amp Junior
 with 3 Amp Diode
 (+ and - metered)



Series	Termination	Watts	Volts	Amps	Ohms	Features
CCP012D	DIN 43650 DC	19	12VDC	1.58	7.58	• 1/2" tube diameter
CCP024D	DIN 43650 DC	19	24VDC	0.79	30.30	
CCP012A	AMP Jr	19	12VDC	1.58	7.58	
CCP024A	AMP Jr	19	24VDC	0.79	30.30	
CCP012H	Integral Deutsch	19	12VDC	1.58	7.58	
CCP024H	Integral Deutsch	19	24VDC	0.79	30.30	
CCP230D	DIN 43650 AC	22	230VAC	0.12	1919	

CV Check Valves

SV Shuttle Valves

LM Load/Motor Controls

FC Flow Controls

PC Pressure Controls

LE Logic Elements

DC Directional Controls

SV Solenoid Valves

PV Proportional Valves

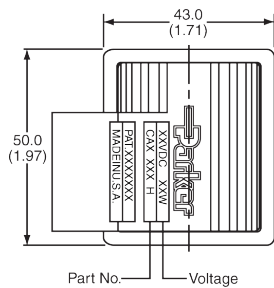
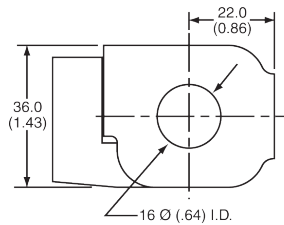
CE Coils & Electronics

BC Bodies & Cavities

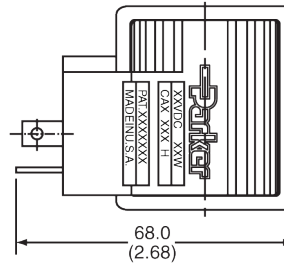
- CV
Check Valves
- SV
Shuttle Valves
- LM
Load/Motor Controls
- FC
Flow Controls
- PC
Pressure Controls
- LE
Logic Elements
- DC
Directional Controls
- SV
Solenoid Valves
- PV
Proportional Valves
- GE
Coils & Electronics
- BC
Bodies & Cavities

CA Type

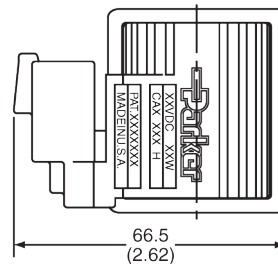
Dimensions Millimeters (inches)



D - DIN 43650
(ground wire on AC only)



H - Integral Deutsch
DT04 - 2P - EP04
HE - Integral Deutsch
with 3 Amp Diode
(+ and - metered)

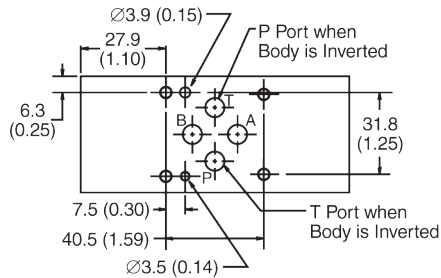
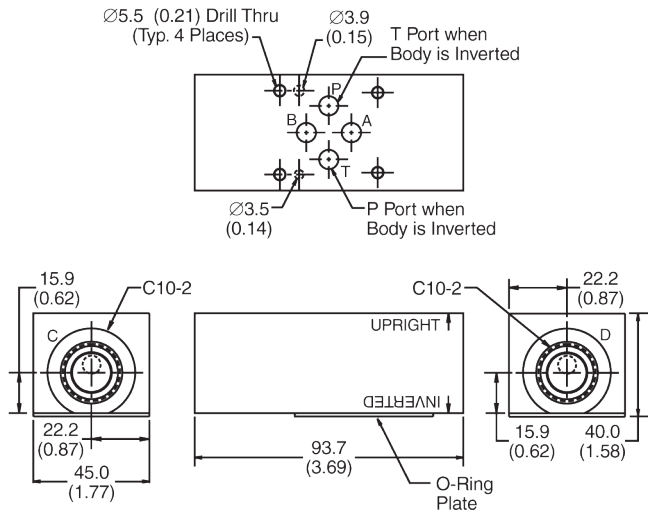


Series	Termination	Watts	Volts	Amps	Ohms	Features
CAP012D	DIN 43650 DC	28	12VDC	2.33	5.14	• 5/8" tube diameter
CAP024D	DIN 43650 DC	28	24VDC	1.17	20.6	
CAP012H	Integral Deutsch	28	12VDC	2.33	5.14	
CAP024H	Integral Deutsch	28	24VDC	1.17	20.6	
CAP230D	DIN 43650 AC	28	230VAC	0.15	1430	

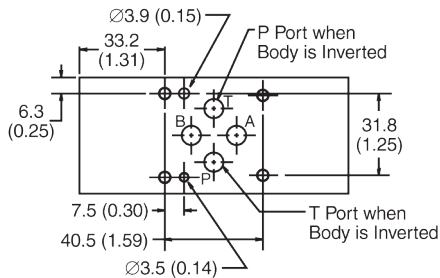
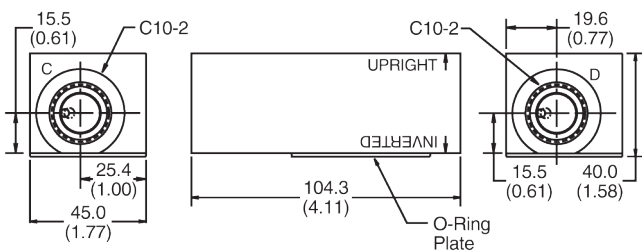
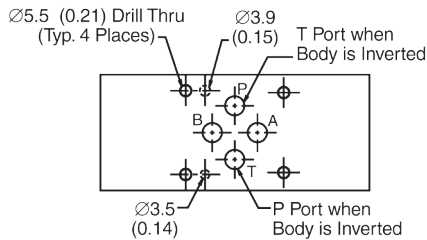


CETOP 3, Cartpak

Dimensions Millimeters (inches)

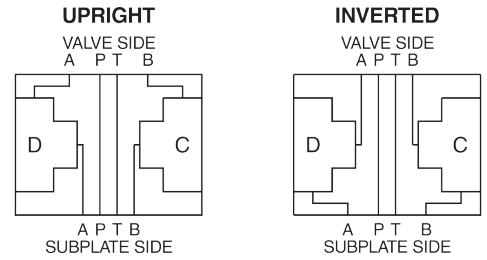


BD03-ABN-A



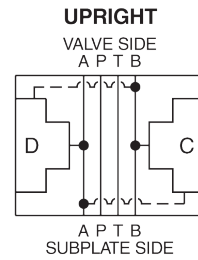
BD03-ABX-A

Body Schematic



Series	Pressure Rating (bar)	Body Material	Typical Usage
BD03-ABN-A	210	Aluminium	• Meter in meter out flow control.

Series	Pressure Rating (bar)	Body Material	Typical Usage
BD03-ABX-A	210	Aluminium	• Cross line relief valve.

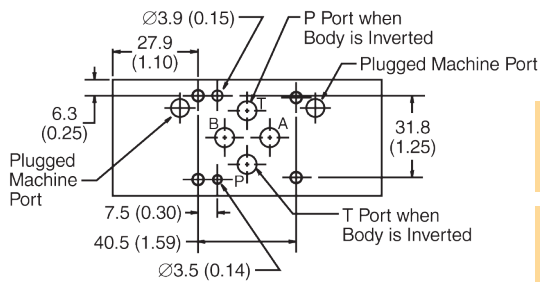
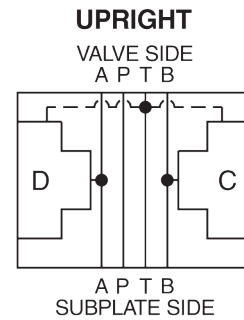
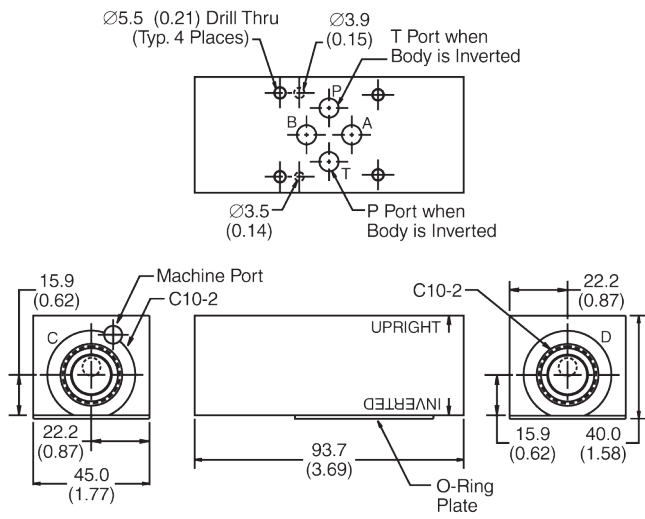


CV Check Valves
SV Shuttle Valves
LM Load/Motor Controls
FC Flow Controls
PC Pressure Controls
LE Logic Elements
DC Directional Controls
SV Solenoid Valves
PV Proportional Valves
CE Coils & Electronics
BC Bodies & Cavities

- CV
Check Valves
- SV
Shuttle Valves
- LM
Load/Motor Controls
- FC
Flow Controls
- PC
Pressure Controls
- LE
Logic Elements
- DC
Directional Controls
- SV
Solenoid Valves
- PV
Proportional Valves
- CE
Coils & Electronics
- BC
Bodies & Cavities

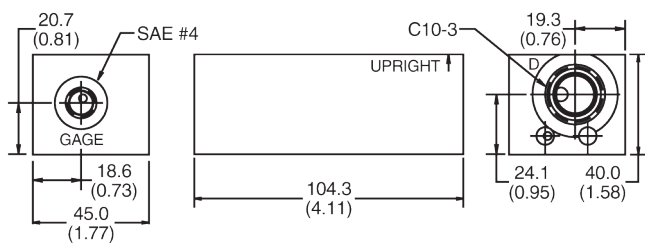
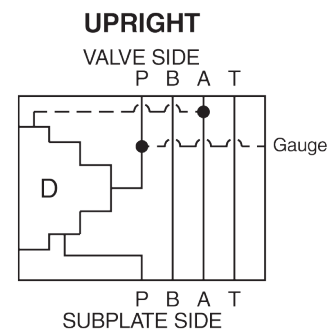
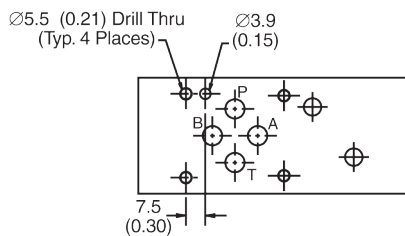
CETOP 3, Cartpak

Dimensions Millimeters (inches)



Series	Pressure Rating (bar)	Body Material	Typical Usage
BD03-ABT-A	210	Aluminium	• A or B relief valves or make up check valves.

BD03-ABT-A



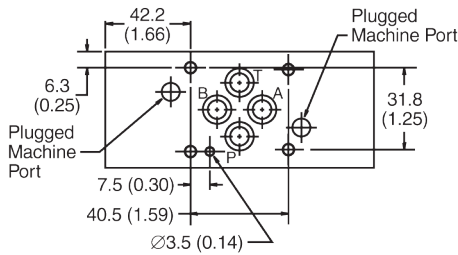
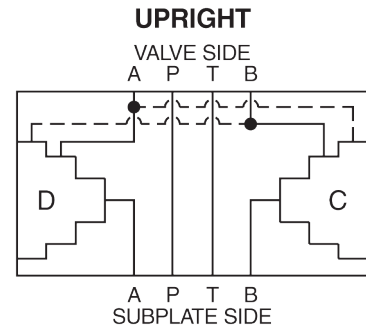
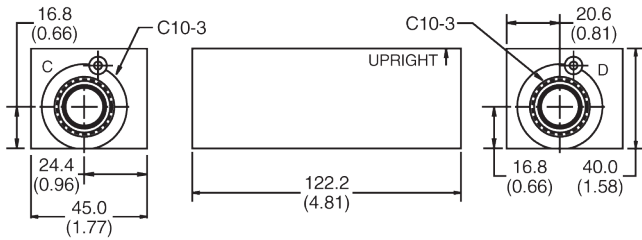
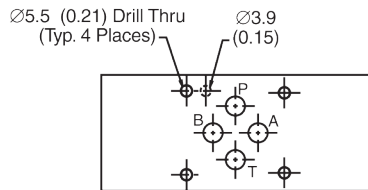
Series	Pressure Rating (bar)	Body Material	Typical Usage
BD03-BDA-A	210	Aluminium	• P line pressure regulation.

BD03-BDA-A

- CV
Check Valves
- SV
Shuttle Valves
- LM
Load/Motor Controls
- FC
Flow Controls
- PC
Pressure Controls
- LE
Logic Elements
- DC
Directional Controls
- SV
Solenoid Valves
- PV
Proportional Valves
- CE
Coils & Electronics
- BC
Bodies & Cavities

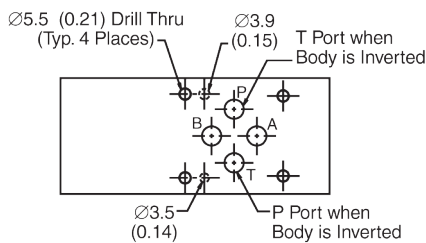
CETOP 3, Cartpak

Dimensions Millimeters (inches)

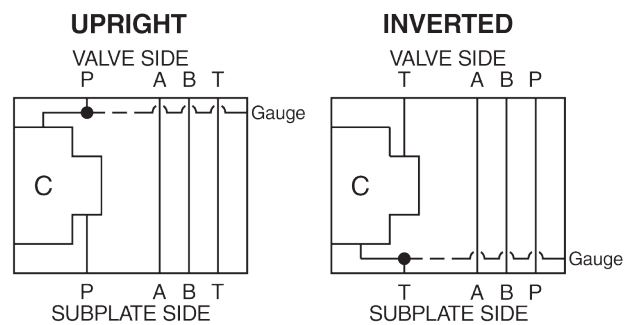
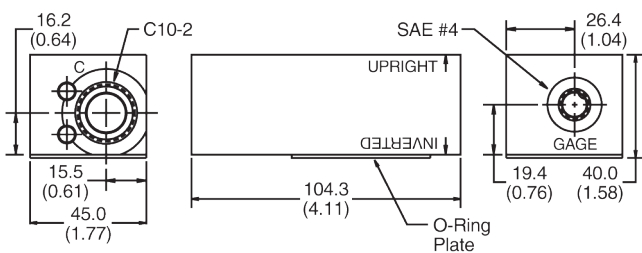


BD03-DDX-A

Series	Pressure Rating (bar)	Body Material	Typical Usage
BD03-DDX-A	210	Aluminium	• A & B port pressure regulating or dual counterbalance valve.



BD03-PN-A

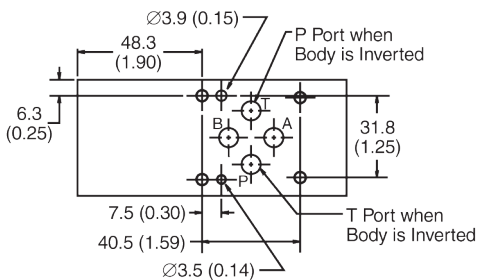
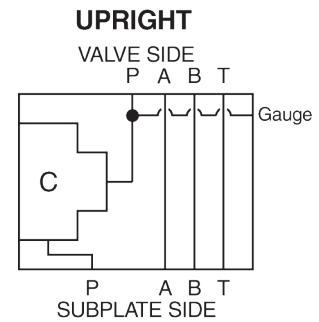
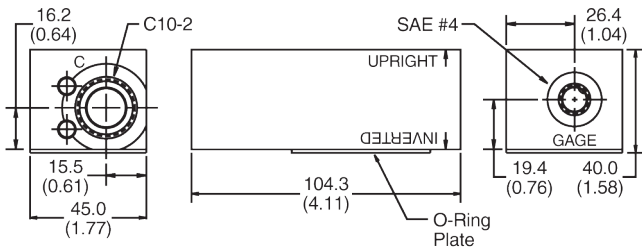
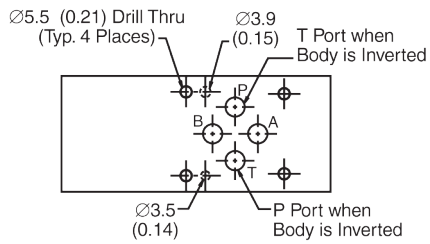


Series	Pressure Rating (bar)	Body Material	Typical Usage
BD03-PN-A	210	Aluminium	• P line check valve or flow regulator.

- CV
Check Valves
- SV
Shuttle Valves
- LM
Load/Motor Controls
- FC
Flow Controls
- PC
Pressure Controls
- LE
Logic Elements
- DC
Directional Controls
- SV
Solenoid Valves
- PV
Proportional Valves
- CE
Coils & Electronics
- BC
Bodies & Cavities

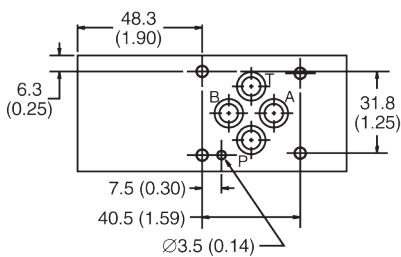
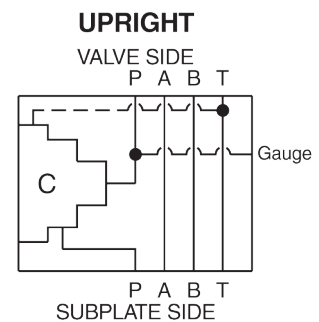
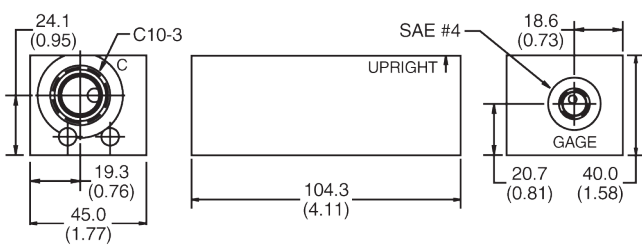
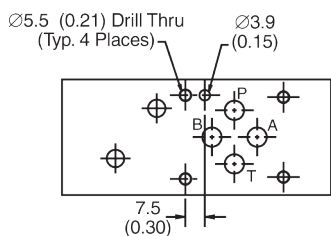
CETOP 3, Cartpak

Dimensions Millimeters (inches)



BD03-PN2-A

Series	Pressure Rating (bar)	Body Material	Typical Usage
BD03-PN2-A	210	Aluminium	• P line needle valve

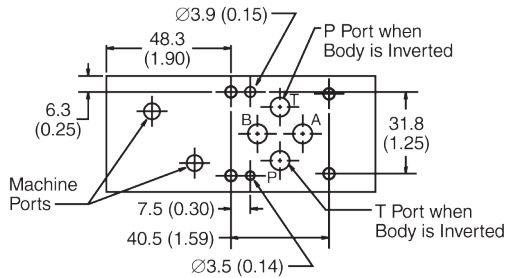
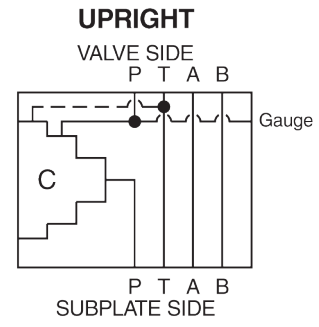
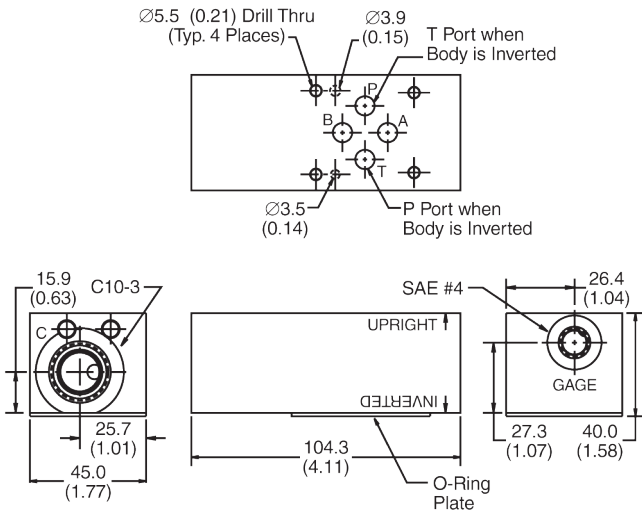


BD03-PNR-A

Series	Pressure Rating (bar)	Body Material	Typical Usage
BD03-PNR-A	210	Aluminium	• P line pressure regulator.

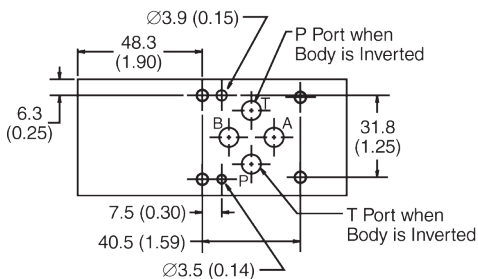
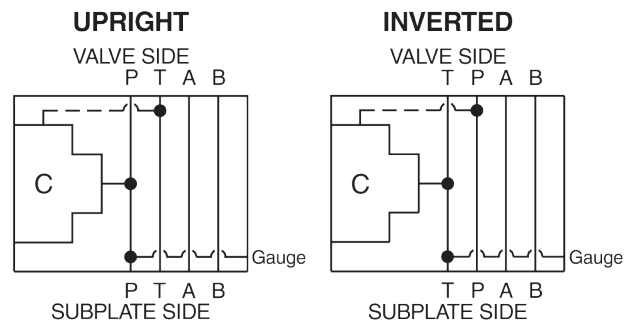
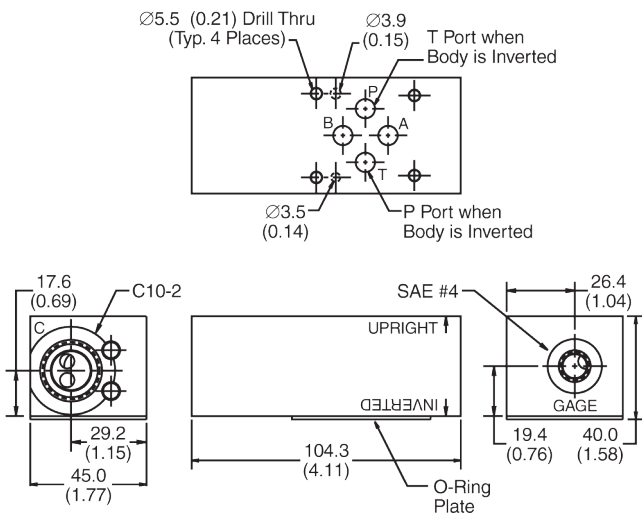
CETOP 3, Cartpak

Dimensions Millimeters (inches)



BD03-PNS-A

Series	Pressure Rating (bar)	Body Material	Typical Usage
BD03-PNS-A	210	Aluminium	• P line sequence valve.



BD03-PT-A

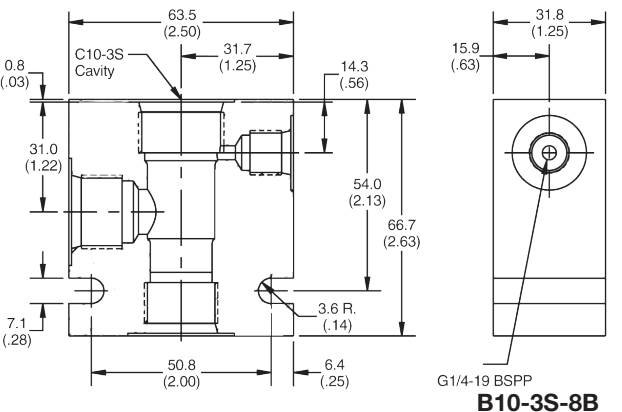
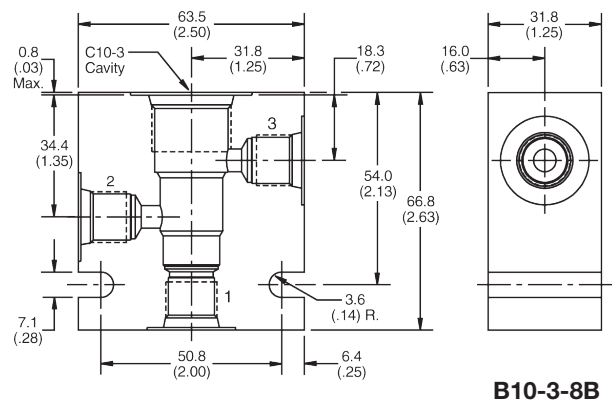
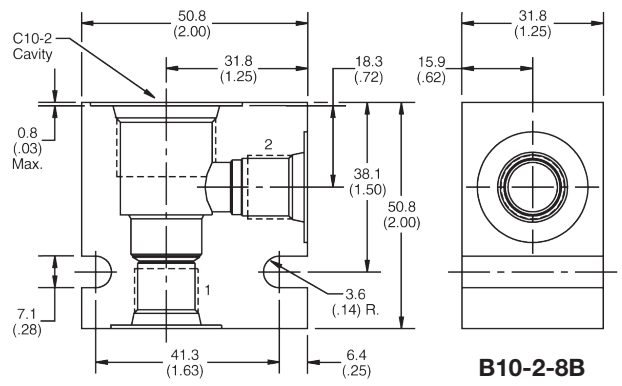
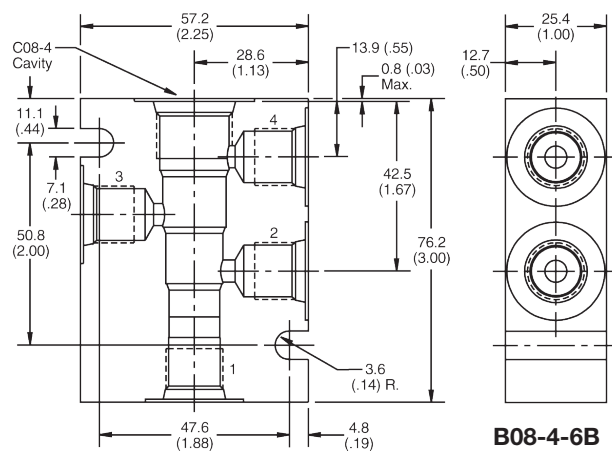
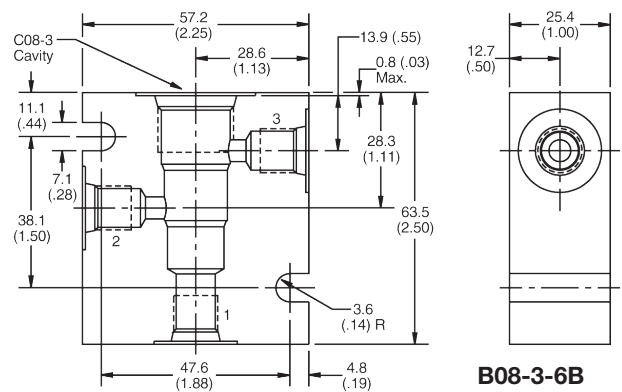
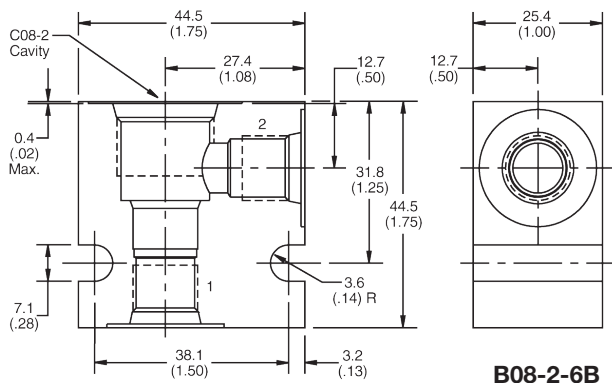
Series	Pressure Rating (bar)	Body Material	Typical Usage
BD03-PT-A	210	Aluminium	• P - T relief valve.

- CV Check Valves
- SV Shuttle Valves
- LM Load/Motor Controls
- FC Flow Controls
- PC Pressure Controls
- LE Logic Elements
- DC Directional Controls
- SV Solenoid Valves
- PV Proportional Valves
- CE Coils & Electronics
- BC Bodies & Cavities

- CV
Check Valves
- SV
Shuttle Valves
- LM
Load/Motor Controls
- FC
Flow Controls
- PC
Pressure Controls
- LE
Logic Elements
- DC
Directional Controls
- SV
Solenoid Valves
- PV
Proportional Valves
- CE
Coils & Electronics
- BC
Bodies & Cavities

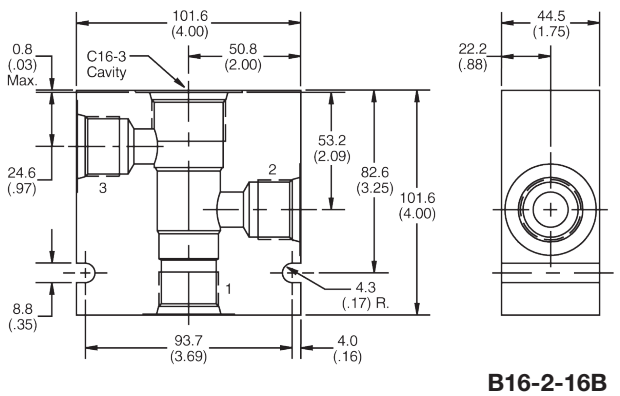
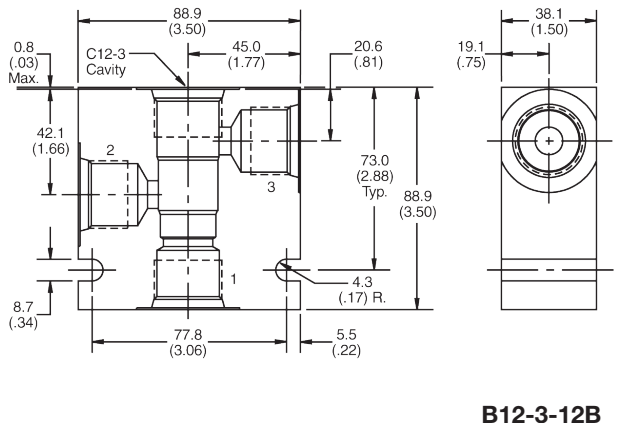
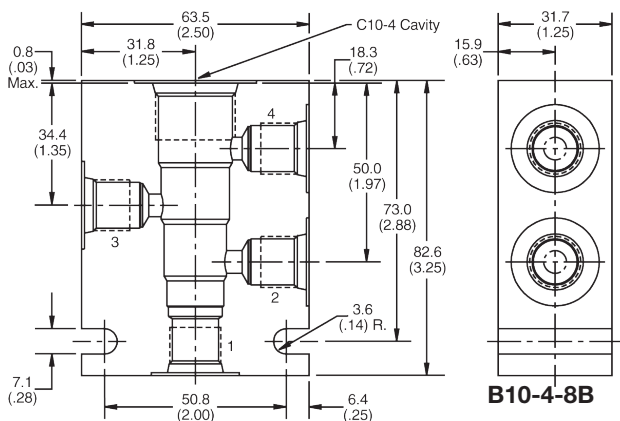
Standard, Steel

Dimensions Millimeters (inches)

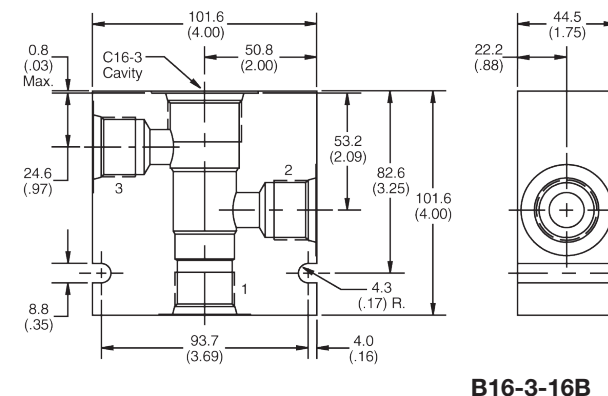
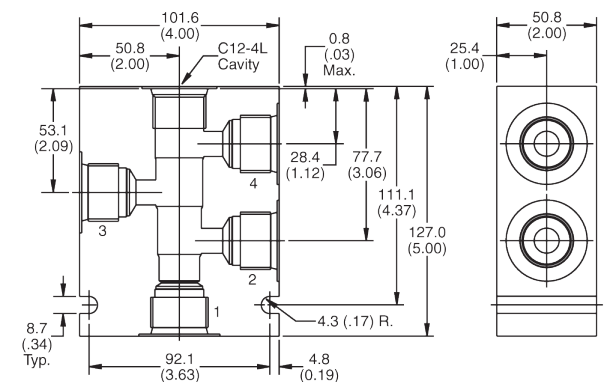
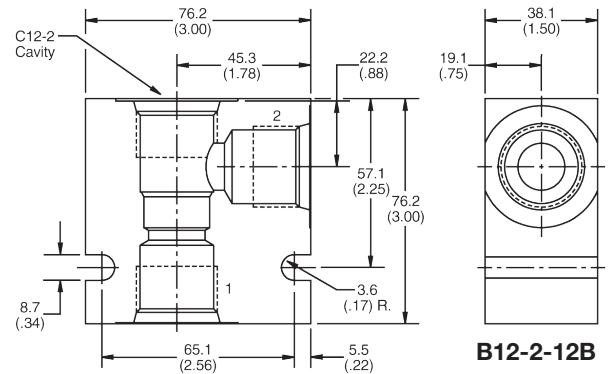


Series	Cavity	Port Size	Porting	Body Material
B08-2-6B	C08-2	3/8 BSP	2 Way	Steel
B08-3-6B	C08-3	3/8 BSP	3 Way	Steel
B08-4-6B	C08-4	3/8 BSP	4 Way	Steel
B10-2-8B	C10-2	1/2 BSP	2 Way	Steel
B10-3-8B	C10-3	1/2 BSP	3 Way	Steel
B10-3S-8B	C10-3S	1/4 BSP & 1/2 BSP	3 Way short	Steel

Standard, Steel



Dimensions Millimeters (inches)



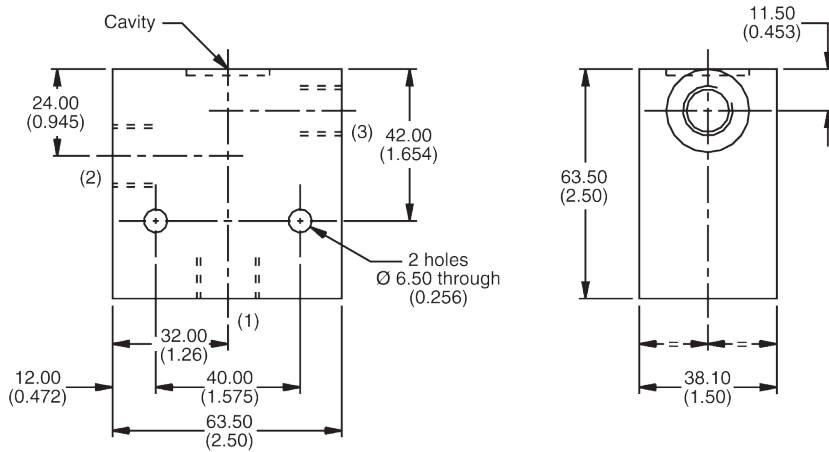
Series	Cavity	Port Size	Porting	Body Material
B10-4-8B	C10-4	1/2 BSP	4 Way	Steel
B12-2-12B	C12-2	3/4 BSP	2 Way	Steel
B12-3-12B	C12-3	3/4 BSP	3 Way	Steel
B12-4L-12T	C12-4L	SAE-12	4 Way	Steel
B16-2-16B	C16-2	1 BSP	2 Way	Steel
B16-3-16B	C16-3	1 BSP	3 Way	Steel

- CV Check Valves
- SV Shuttle Valves
- LM Load/Motor Controls
- FC Flow Controls
- PC Pressure Controls
- LE Logic Elements
- DC Directional Controls
- SV Solenoid Valves
- PV Proportional Valves
- CE Coils & Electronics
- BC Bodies & Cavities

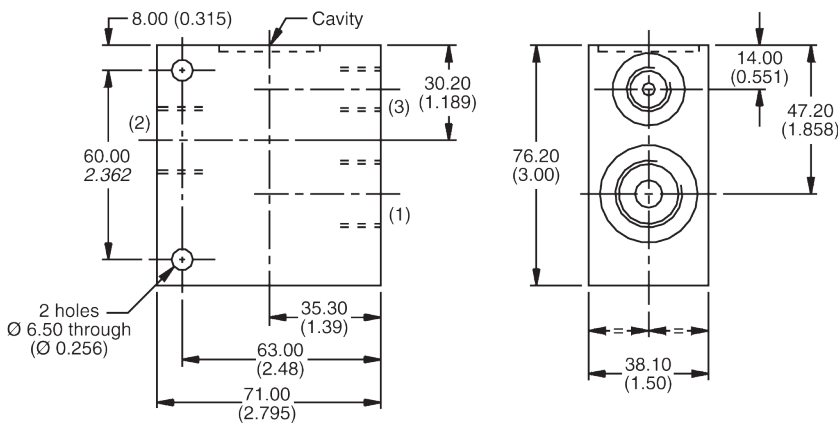
- CV
Check Valves
- SV
Shuttle Valves
- LM
Load/Motor Controls
- FC
Flow Controls
- PC
Pressure Controls
- LE
Logic Elements
- DC
Directional Controls
- SV
Solenoid Valves
- PV
Proportional Valves
- CE
Coils & Electronics
- BC
Bodies & Cavities

Load Control

Dimensions Millimeters (inches)



LB10310S

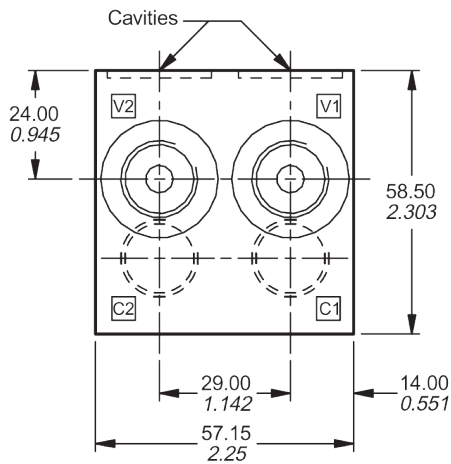


LB10251S

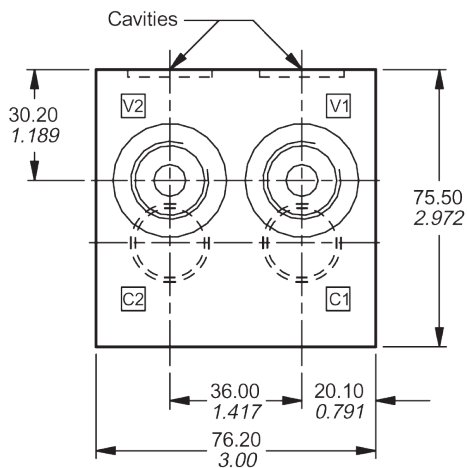
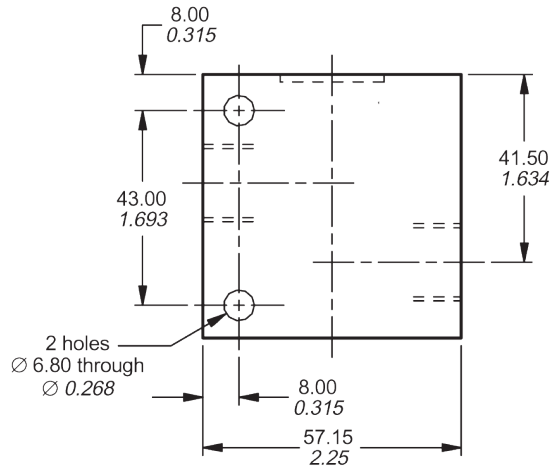
Series	Cavity	Porting	Main	Aux	Features
LB10310S	53-1	3 Way	3/8 BSP	1/4 BSP	<ul style="list-style-type: none"> Use with either E*B020 or D4A020 Load Control Cartridge.
LB10251S	68-1	3 Way	1/2 BSP	1/4 BSP	<ul style="list-style-type: none"> Use with either E2B040 or E6B040

Load Control - Dual

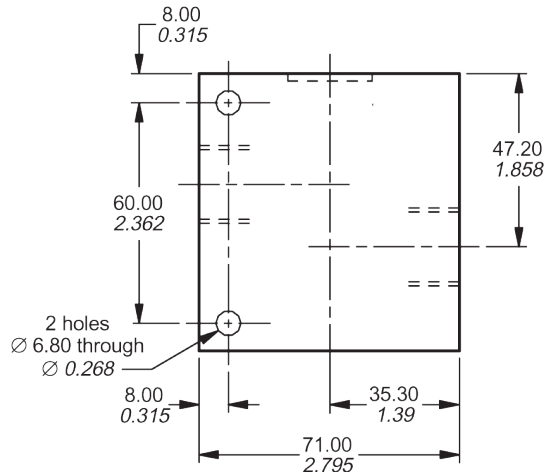
Dimensions Millimeters (inches)



LB10312S



LB10259S

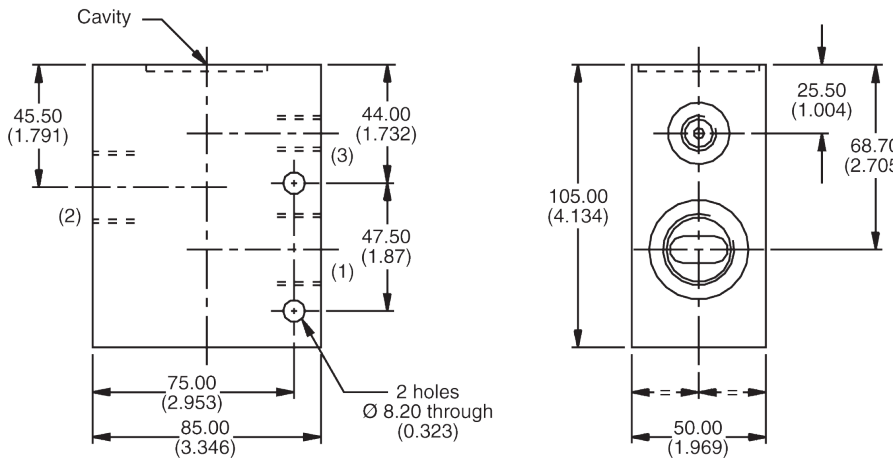


Series	Cavity	Porting	Main	Aux	Features
LB10312S	53-1	4 Way Dual	3/8 BSP	1/4 BSP	<ul style="list-style-type: none"> Use with either 2 pcs E2B020 or 2 pcs E6B020
LB10259S	68-1	4 Way Dual	3/8 BSP	-----	<ul style="list-style-type: none"> Use with either 2 pcs E2B040 or 2 pcs E6B040

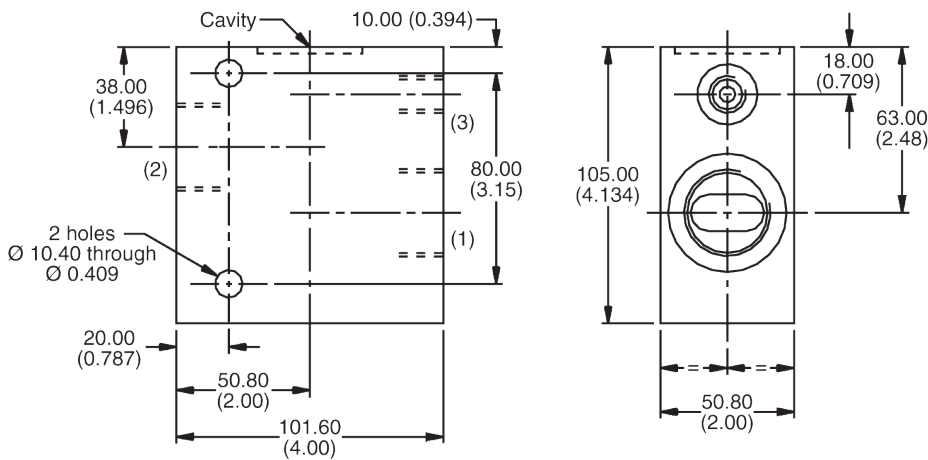
- CV
Check Valves
- SV
Shuttle Valves
- LM
Load/Motor Controls
- FC
Flow Controls
- PC
Pressure Controls
- LE
Logic Elements
- DC
Directional Controls
- SV
Solenoid Valves
- PV
Proportional Valves
- CE
Coils & Electronics
- BC
Bodies & Cavities

Load Control

Dimensions Millimeters (inches)



LB10039S



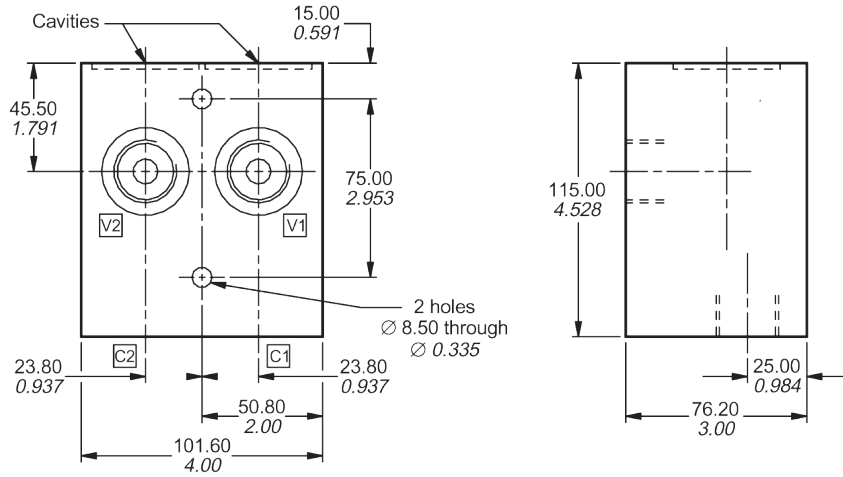
LB10076S

Series	Cavity	Porting	Main	Aux	Features
LB10039S	3C	3 Way	3/4 BSP	1/4 BSP	<ul style="list-style-type: none"> Use with either E2B060 or E6B060 Load Control Cartridge.
LB10076S	3M	3 Way	1 BSP	1/4 BSP	<ul style="list-style-type: none"> Use with E2E125 Load Control Cartridge.

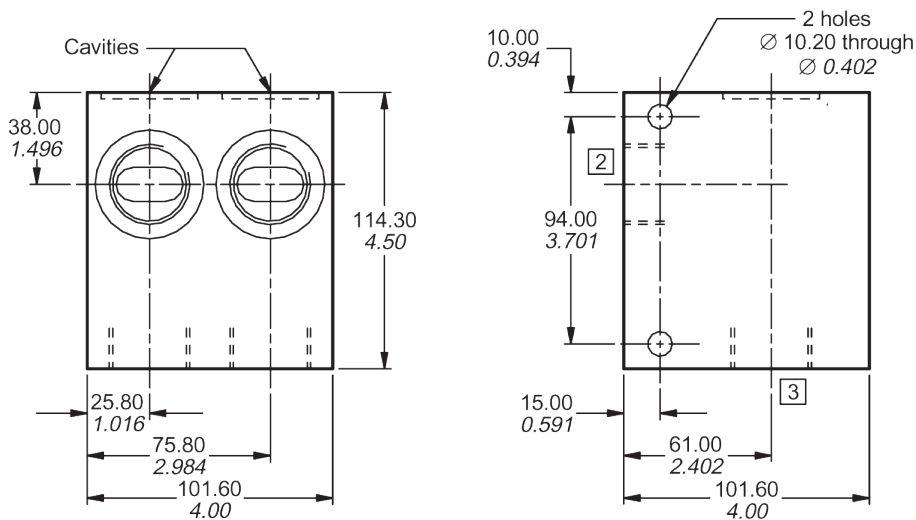
- CV
Check Valves
- SV
Shuttle Valves
- LM
Load/Motor Controls
- FC
Flow Controls
- PC
Pressure Controls
- LE
Logic Elements
- DC
Directional Controls
- SV
Solenoid Valves
- PV
Proportional Valves
- CE
Coils & Electronics
- BC
Bodies & Cavities

Load Control - Dual

Dimensions Millimeters (inches)



LB10034S



LB10104S

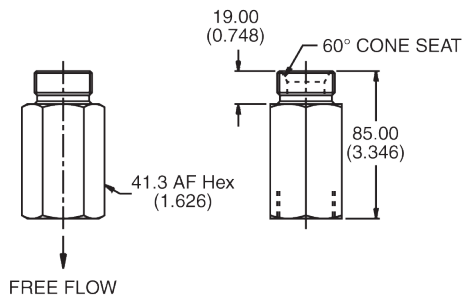
Series	Cavity	Porting	Main	Aux	Features
LB10034S	3C	4 Way	3/4 BSP	-----	<ul style="list-style-type: none"> Use with either 2 pcs E2B060 or 2 pcs E6B060 Load Control Cartridge.
LB10104S	3M	4 Way Dual	1 BSP	-----	<ul style="list-style-type: none"> Use with 2 pcs E2F125 Load Control Cartridge.

- CV Check Valves
- SV Shuttle Valves
- LM Load/Motor Controls
- FC Flow Controls
- PC Pressure Controls
- LE Logic Elements
- DC Directional Controls
- SV Solenoid Valves
- PV Proportional Valves
- CE Coils & Electronics
- BC Bodies & Cavities

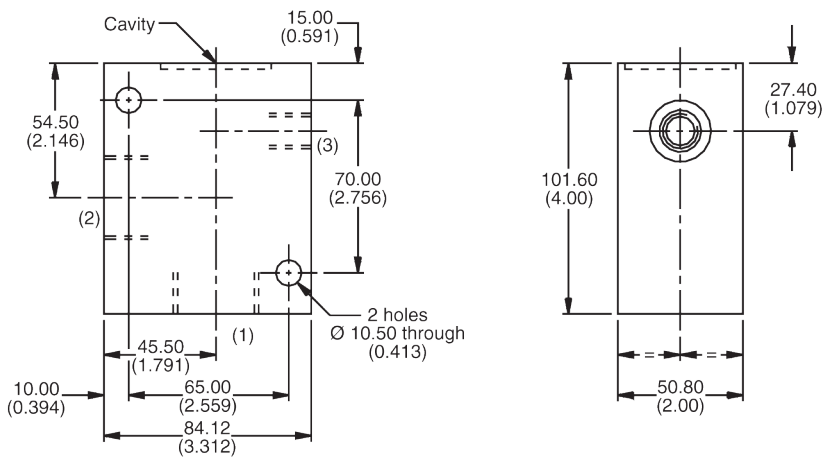
- CV
Check Valves
- SV
Shuttle Valves
- LM
Load/Motor Controls
- FC
Flow Controls
- PC
Pressure Controls
- LE
Logic Elements
- DC
Directional Controls
- SV
Solenoid Valves
- PV
Proportional Valves
- CE
Coils & Electronics
- BC
Bodies & Cavities

Steel Special Type

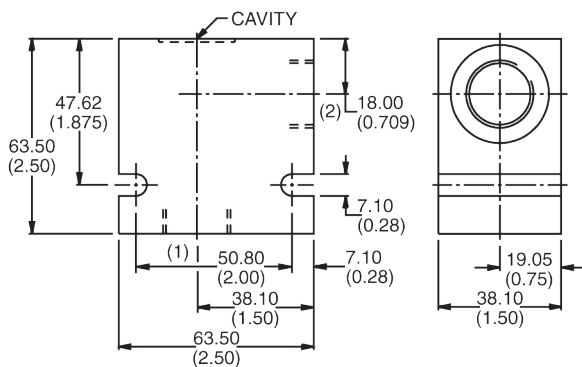
Dimensions Millimeters (inches)



LB10210S



LB10056S

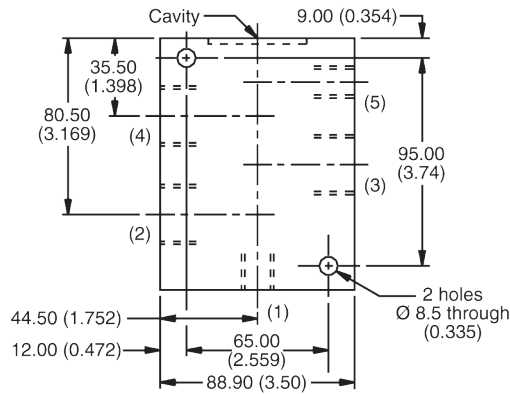


LB10545S

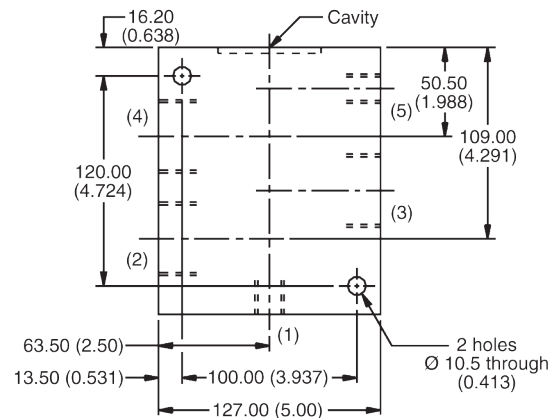
Series	Cavity	Porting	Main	Aux	Features
LB10210S	2C	2 Way	1 BSP	-----	• Use with D1B125 Check Valve Insert.
LB10056S	3A	3 Way	1 BSP	1/4 BSP	• Use with J1A125 Flow Control Valve.
LB10545S	2R	2 Way	1/2 BSP	1/4 BSP	• Use with bi-directional Solenoid Valves.

Steel Special Type

Dimensions Millimeters (inches)



LB10314S



LB10316S

Series	Cavity	Porting	Main	Aux	Features
LB10314S	5A	5 Way	3/4 BSP	1/4 BSP	• Use with N5A125 Directional Control Valve.
LB10316S	100-1	5 Way	1 1/4 BSP	3/8 BSP	• Use with N5A300 Directional Control Valve.

- CV
Check Valves
- SV
Shuttle Valves
- LM
Load/Motor Controls
- FC
Flow Controls
- PC
Pressure Controls
- LE
Logic Elements
- DC
Directional Controls
- SV
Solenoid Valves
- PV
Proportional Valves
- CE
Coils & Electronics
- BC
Bodies & Cavities

Parker Worldwide

Europe, Middle East, Africa

AE – United Arab Emirates,
Dubai

Tel: +971 4 8127100
parker.me@parker.com

AT – Austria, Wiener Neustadt

Tel: +43 (0)2622 23501-0
parker.austria@parker.com

AT – Eastern Europe, Wiener
Neustadt

Tel: +43 (0)2622 23501 900
parker.easteurope@parker.com

AZ – Azerbaijan, Baku

Tel: +994 50 2233 458
parker.azerbaijan@parker.com

BE/LU – Belgium, Nivelles

Tel: +32 (0)67 280 900
parker.belgium@parker.com

BY – Belarus, Minsk

Tel: +375 17 209 9399
parker.belarus@parker.com

CH – Switzerland, Etoy

Tel: +41 (0)21 821 87 00
parker.switzerland@parker.com

CZ – Czech Republic, Klecany

Tel: +420 284 083 111
parker.czechrepublic@parker.com

DE – Germany, Kaarst

Tel: +49 (0)2131 4016 0
parker.germany@parker.com

DK – Denmark, Ballerup

Tel: +45 43 56 04 00
parker.denmark@parker.com

ES – Spain, Madrid

Tel: +34 902 330 001
parker.spain@parker.com

FI – Finland, Vantaa

Tel: +358 (0)20 753 2500
parker.finland@parker.com

FR – France, Contamine s/Arve

Tel: +33 (0)4 50 25 80 25
parker.france@parker.com

GR – Greece, Athens

Tel: +30 210 933 6450
parker.greece@parker.com

HU – Hungary, Budapest

Tel: +36 1 220 4155
parker.hungary@parker.com

IE – Ireland, Dublin

Tel: +353 (0)1 466 6370
parker.ireland@parker.com

IT – Italy, Corsico (MI)

Tel: +39 02 45 19 21
parker.italy@parker.com

KZ – Kazakhstan, Almaty

Tel: +7 7272 505 800
parker.easteurope@parker.com

NL – The Netherlands, Oldenzaal

Tel: +31 (0)541 585 000
parker.nl@parker.com

NO – Norway, Asker

Tel: +47 66 75 34 00
parker.norway@parker.com

PL – Poland, Warsaw

Tel: +48 (0)22 573 24 00
parker.poland@parker.com

PT – Portugal, Leca da Palmeira

Tel: +351 22 999 7360
parker.portugal@parker.com

RO – Romania, Bucharest

Tel: +40 21 252 1382
parker.romania@parker.com

RU – Russia, Moscow

Tel: +7 495 645-2156
parker.russia@parker.com

SE – Sweden, Spånga

Tel: +46 (0)8 59 79 50 00
parker.sweden@parker.com

SK – Slovakia, Banská Bystrica

Tel: +421 484 162 252
parker.slovakia@parker.com

SL – Slovenia, Novo Mesto

Tel: +386 7 337 6650
parker.slovenia@parker.com

TR – Turkey, Istanbul

Tel: +90 216 4997081
parker.turkey@parker.com

UA – Ukraine, Kiev

Tel: +380 44 494 2731
parker.ukraine@parker.com

UK – United Kingdom, Warwick

Tel: +44 (0)1926 317 878
parker.uk@parker.com

ZA – South Africa, Kempton Park

Tel: +27 (0)11 961 0700
parker.southafrica@parker.com

European Product Information Centre

Free phone: 00 800 27 27 5374

(from AT, BE, CH, CZ, DE, DK, EE, ES, FI,
FR, IE, IL, IS, IT, LU, MT, NL, NO, PL, PT,
RU, SE, SK, UK, ZA)

North America

CA – Canada, Milton, Ontario

Tel: +1 905 693 3000

US – USA, Cleveland

(industrial)
Tel: +1 216 896 3000

US – USA, Elk Grove Village

(mobile)
Tel: +1 847 258 6200

Asia Pacific

AU – Australia, Castle Hill

Tel: +61 (0)2-9634 7777

CN – China, Shanghai

Tel: +86 21 2899 5000

HK – Hong Kong

Tel: +852 2428 8008

IN – India, Mumbai

Tel: +91 22 6513 7081-85

JP – Japan, Fujisawa

Tel: +81 (0)4 6635 3050

KR – South Korea, Seoul

Tel: +82 2 559 0400

MY – Malaysia, Shah Alam

Tel: +60 3 7849 0800

NZ – New Zealand, Mt Wellington

Tel: +64 9 574 1744

SG – Singapore

Tel: +65 6887 6300

TH – Thailand, Bangkok

Tel: +662 717 8140

TW – Taiwan, Taipei

Tel: +886 2 2298 8987

South America

AR – Argentina, Buenos Aires

Tel: +54 3327 44 4129

BR – Brazil, Cachoeirinha RS

Tel: +55 51 3470 9144

CL – Chile, Santiago

Tel: +56 2 623 1216

MX – Mexico, Apodaca

Tel: +52 81 8156 6000

VE – Venezuela, Caracas

Tel: +58 212 238 5422

Catalogue HY31-2011/UK, XM, 06/2011, TMCZ

Parker Hannifin Ltd.

Tachbrook Park Drive

Tachbrook Park, Warwick CV34 6TU

United Kingdom

Tel.: +44 (0) 1926 317 878

Fax: +44 (0) 1926 317 855

parker.uk@parker.com

www.parker.com



Your local authorized Parker distributor